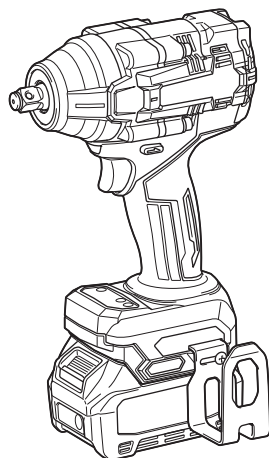


INSTRUCTION MANUAL  
MANUEL D'INSTRUCTION  
MANUAL DE INSTRUCCIONES



# Cordless Impact Wrench Boulonneuse sans Fil Llave de Impacto Inalámbrica

**TW007G**  
**TW008G**



**IMPORTANT:** Read Before Using.

**IMPORTANT :** Lire avant usage.

**IMPORTANTE:** Lea antes de usar.

# SPECIFICATIONS

Model:		TW007G	TW008G
Fastening capacities	Standard bolt	M10 - M24 (3/8" - 1")	
	High tensile bolt	M10 - M16 (3/8" - 5/8")	
Square drive		12.7 mm (1/2")	
No load speed	Max impact mode (4)	0 - 2,300 /min	
	Hard impact mode (3)	0 - 1,900 /min	
	Medium impact mode (2)	0 - 1,200 /min	
	Soft impact mode (1)	0 - 600 /min	
Impacts per minute	Max impact mode (4)	0 - 2,900 /min	
	Hard impact mode (3)	0 - 2,700 /min	
	Medium impact mode (2)	0 - 1,900 /min	
	Soft impact mode (1)	0 - 1,200 /min	
Overall length (with battery cartridge BL4040)		170 mm (6-11/16")	
Rated voltage		D.C. 36 V - 40 V max	
Net weight		2.7 - 3.3 kg (6.0 - 7.3 lbs)	

- Due to our continuing program of research and development, the specifications herein are subject to change without notice.
- Specifications may differ from country to country.
- The weight may differ depending on the attachment(s), including the battery cartridge. The lightest and heaviest combination, according to EPTA-Procedure 01/2014, are shown in the table.

## Applicable battery cartridge and charger

Battery cartridge	BL4020* / BL4025* / BL4040* / BL4050F *: Recommended battery
Charger	DC40RA / DC40RB / DC40RC

- Some of the battery cartridges and chargers listed above may not be available depending on your region of residence.

**⚠ WARNING: Only use the battery cartridges and chargers listed above.** Use of any other battery cartridges and chargers may cause injury and/or fire.

# SAFETY WARNINGS

## General power tool safety warnings

**⚠ WARNING: Read all safety warnings, instructions, illustrations and specifications provided with this power tool.** Failure to follow all instructions listed below may result in electric shock, fire and/or serious injury.

## Save all warnings and instructions for future reference.

The term "power tool" in the warnings refers to your mains-operated (corded) power tool or battery-operated (cordless) power tool.

### Work area safety

1. **Keep work area clean and well lit.** Cluttered or dark areas invite accidents.
2. **Do not operate power tools in explosive atmospheres, such as in the presence of flammable liquids, gases or dust.** Power tools create sparks which may ignite the dust or fumes.
3. **Keep children and bystanders away while operating a power tool.** Distractions can cause you to lose control.

### Electrical Safety

1. **Power tool plugs must match the outlet. Never modify the plug in any way. Do not use any adapter plugs with earthed (grounded) power tools.** Unmodified plugs and matching outlets will reduce risk of electric shock.
2. **Avoid body contact with earthed or grounded surfaces, such as pipes, radiators, ranges and refrigerators.** There is an increased risk of electric shock if your body is earthed or grounded.

3. **Do not expose power tools to rain or wet conditions.** Water entering a power tool will increase the risk of electric shock.
4. **Do not abuse the cord. Never use the cord for carrying, pulling or unplugging the power tool. Keep cord away from heat, oil, sharp edges or moving parts.** Damaged or entangled cords increase the risk of electric shock.
5. **When operating a power tool outdoors, use an extension cord suitable for outdoor use.** Use of a cord suitable for outdoor use reduces the risk of electric shock.
6. **If operating a power tool in a damp location is unavoidable, use a ground fault circuit interrupter (GFCI) protected supply.** Use of a GFCI reduces the risk of electric shock.
7. **Power tools can produce electromagnetic fields (EMF) that are not harmful to the user.** However, users of pacemakers and other similar medical devices should contact the maker of their device and/or doctor for advice before operating this power tool.

#### Personal Safety

1. **Stay alert, watch what you are doing and use common sense when operating a power tool. Do not use a power tool while you are tired or under the influence of drugs, alcohol or medication.** A moment of inattention while operating power tools may result in serious personal injury.
2. **Use personal protective equipment. Always wear eye protection.** Protective equipment such as dust mask, non-skid safety shoes, hard hat, or hearing protection used for appropriate conditions will reduce personal injuries.
3. **Prevent unintentional starting. Ensure the switch is in the off-position before connecting to power source and/or battery pack, picking up or carrying the tool.** Carrying power tools with your finger on the switch or energising power tools that have the switch on invites accidents.
4. **Remove any adjusting key or wrench before turning the power tool on.** A wrench or a key left attached to a rotating part of the power tool may result in personal injury.
5. **Do not overreach. Keep proper footing and balance at all times.** This enables better control of the power tool in unexpected situations.
6. **Dress properly. Do not wear loose clothing or jewellery. Keep your hair, clothing and gloves away from moving parts.** Loose clothes, jewellery or long hair can be caught in moving parts.
7. **If devices are provided for the connection of dust extraction and collection facilities, ensure these are connected and properly used.** Use of dust collection can reduce dust-related hazards.
8. **Do not let familiarity gained from frequent use of tools allow you to become complacent and ignore tool safety principles.** A careless action can cause severe injury within a fraction of a second.
9. **Always wear protective goggles to protect your eyes from injury when using power tools. The goggles must comply with ANSI Z87.1 in the USA. It is an employer's responsibility to enforce the use of appropriate safety protective equipment by the tool operators and by other persons in the immediate working area.**

#### Power tool use and care

1. **Do not force the power tool. Use the correct power tool for your application.** The correct power tool will do the job better and safer at the rate for which it was designed.
2. **Do not use the power tool if the switch does not turn it on and off.** Any power tool that cannot be controlled with the switch is dangerous and must be repaired.
3. **Disconnect the plug from the power source and/or remove the battery pack, if detachable, from the power tool before making any adjustments, changing accessories, or storing power tools.** Such preventive safety measures reduce the risk of starting the power tool accidentally.
4. **Store idle power tools out of the reach of children and do not allow persons unfamiliar with the power tool or these instructions to operate the power tool.** Power tools are dangerous in the hands of untrained users.
5. **Maintain power tools and accessories. Check for misalignment or binding of moving parts, breakage of parts and any other condition that may affect the power tool's operation. If damaged, have the power tool repaired before use.** Many accidents are caused by poorly maintained power tools.
6. **Keep cutting tools sharp and clean.** Properly maintained cutting tools with sharp cutting edges are less likely to bind and are easier to control.
7. **Use the power tool, accessories and tool bits etc. in accordance with these instructions, taking into account the working conditions and the work to be performed.** Use of the power tool for operations different from those intended could result in a hazardous situation.
8. **Keep handles and grasping surfaces dry, clean and free from oil and grease.** Slippery handles and grasping surfaces do not allow for safe handling and control of the tool in unexpected situations.
9. **When using the tool, do not wear cloth work gloves which may be entangled.** The entanglement of cloth work gloves in the moving parts may result in personal injury.

#### Battery tool use and care

1. **Recharge only with the charger specified by the manufacturer.** A charger that is suitable for one type of battery pack may create a risk of fire when used with another battery pack.
2. **Use power tools only with specifically designated battery packs.** Use of any other battery packs may create a risk of injury and fire.
3. **When battery pack is not in use, keep it away from other metal objects, like paper clips, coins, keys, nails, screws or other small metal objects, that can make a connection from one terminal to another.** Shorting the battery terminals together may cause burns or a fire.
4. **Under abusive conditions, liquid may be ejected from the battery; avoid contact. If contact accidentally occurs, flush with water. If liquid contacts eyes, additionally seek medical help.** Liquid ejected from the battery may cause irritation or burns.

5. **Do not use a battery pack or tool that is damaged or modified.** Damaged or modified batteries may exhibit unpredictable behaviour resulting in fire, explosion or risk of injury.
6. **Do not expose a battery pack or tool to fire or excessive temperature.** Exposure to fire or temperature above 130 °C may cause explosion.
7. **Follow all charging instructions and do not charge the battery pack or tool outside the temperature range specified in the instructions.** Charging improperly or at temperatures outside the specified range may damage the battery and increase the risk of fire.

#### Service

1. **Have your power tool serviced by a qualified repair person using only identical replacement parts.** This will ensure that the safety of the power tool is maintained.
2. **Never service damaged battery packs.** Service of battery packs should only be performed by the manufacturer or authorized service providers.
3. **Follow instruction for lubricating and changing accessories.**
4. **Do not modify or attempt to repair the appliance or the battery pack except as indicated in the instructions for use and care.**

### Cordless impact wrench safety warnings

1. **Hold the power tool by insulated gripping surfaces, when performing an operation where the fastener may contact hidden wiring.** Fasteners contacting a "live" wire may make exposed metal parts of the power tool "live" and could give the operator an electric shock.
2. **Wear ear protectors.**
3. **Check the impact socket carefully for wear, cracks or damage before installation.**
4. **Hold the tool firmly.**
5. **Keep hands away from rotating parts.**
6. **Do not touch the impact socket, bolt, nut or the workpiece immediately after operation.** They may be extremely hot and could burn your skin.
7. **Always be sure you have a firm footing. Be sure no one is below when using the tool in high locations.**
8. **The proper fastening torque may differ depending upon the kind or size of the bolt. Check the torque with a torque wrench.**
9. **Make sure there are no electrical cables, water pipes, gas pipes etc. that could cause a hazard if damaged by use of the tool.**


### SAVE THESE INSTRUCTIONS.

**⚠ WARNING: DO NOT** let comfort or familiarity with product (gained from repeated use) replace strict adherence to safety rules for the subject product.

**MISUSE** or failure to follow the safety rules stated in this instruction manual may cause serious personal injury.

### Symbols

The followings show the symbols used for tool.

V	volts
— — —	direct current
n <sub>0</sub>	no load speed
.../min r/min	revolutions or reciprocation per minute
	number of blow

### Important safety instructions for battery cartridge

1. **Before using battery cartridge, read all instructions and cautionary markings on (1) battery charger, (2) battery, and (3) product using battery.**
2. **Do not disassemble or tamper the battery cartridge.** It may result in a fire, excessive heat, or explosion.
3. **If operating time has become excessively shorter, stop operating immediately. It may result in a risk of overheating, possible burns and even an explosion.**
4. **If electrolyte gets into your eyes, rinse them out with clear water and seek medical attention right away. It may result in loss of your eyesight.**
5. **Do not short the battery cartridge:**
  - (1) **Do not touch the terminals with any conductive material.**
  - (2) **Avoid storing battery cartridge in a container with other metal objects such as nails, coins, etc.**
  - (3) **Do not expose battery cartridge to water or rain.**

**A battery short can cause a large current flow, overheating, possible burns and even a breakdown.**
6. **Do not store and use the tool and battery cartridge in locations where the temperature may reach or exceed 50 °C (122 °F).**
7. **Do not incinerate the battery cartridge even if it is severely damaged or is completely worn out. The battery cartridge can explode in a fire.**
8. **Do not nail, cut, crush, throw, drop the battery cartridge, or hit against a hard object to the battery cartridge.** Such conduct may result in a fire, excessive heat, or explosion.
9. **Do not use a damaged battery.**
10. **The contained lithium-ion batteries are subject to the Dangerous Goods Legislation requirements.**  
For commercial transports e.g. by third parties, forwarding agents, special requirement on packaging and labeling must be observed.

For preparation of the item being shipped, consulting an expert for hazardous material is required. Please also observe possibly more detailed national regulations.

Tape or mask off open contacts and pack up the battery in such a manner that it cannot move around in the packaging.

11. **When disposing of the battery cartridge, remove it from the tool and dispose of it in a safe place. Follow your local regulations relating to disposal of battery.**
12. **Use the batteries only with the products specified by Makita.** Installing the batteries to non-compliant products may result in a fire, excessive heat, explosion, or leak of electrolyte.
13. **If the tool is not used for a long period of time, the battery must be removed from the tool.**
14. **During and after use, the battery cartridge may take on heat which can cause burns or low temperature burns. Pay attention to the handling of hot battery cartridges.**
15. **Do not touch the terminal of the tool immediately after use as it may get hot enough to cause burns.**
16. **Do not allow chips, dust, or soil stuck into the terminals, holes, and grooves of the battery cartridge.** It may cause heating, catching fire, burst and malfunction of the tool or battery cartridge, resulting in burns or personal injury.
17. **Unless the tool supports the use near high-voltage electrical power lines, do not use the battery cartridge near a high-voltage electrical power lines.** It may result in a malfunction or breakdown of the tool or battery cartridge.
18. **Keep the battery away from children.**

## SAVE THESE INSTRUCTIONS.

**CAUTION:** Only use genuine Makita batteries. Use of non-genuine Makita batteries, or batteries that have been altered, may result in the battery bursting causing fires, personal injury and damage. It will also void the Makita warranty for the Makita tool and charger.

## Tips for maintaining maximum battery life

1. **Charge the battery cartridge before completely discharged. Always stop tool operation and charge the battery cartridge when you notice less tool power.**
2. **Never recharge a fully charged battery cartridge. Overcharging shortens the battery service life.**
3. **Charge the battery cartridge with room temperature at 10 °C - 40 °C (50 °F - 104 °F). Let a hot battery cartridge cool down before charging it.**
4. **When not using the battery cartridge, remove it from the tool or the charger.**
5. **Charge the battery cartridge if you do not use it for a long period (more than six months).**

## FUNCTIONAL DESCRIPTION

**CAUTION:** Always be sure that the tool is switched off and the battery cartridge is removed before adjusting or checking function on the tool.

## Installing or removing battery cartridge

**CAUTION:** Always switch off the tool before installing or removing of the battery cartridge.

**CAUTION:** Hold the tool and the battery cartridge firmly when installing or removing battery cartridge. Failure to hold the tool and the battery cartridge firmly may cause them to slip off your hands and result in damage to the tool and battery cartridge and a personal injury.

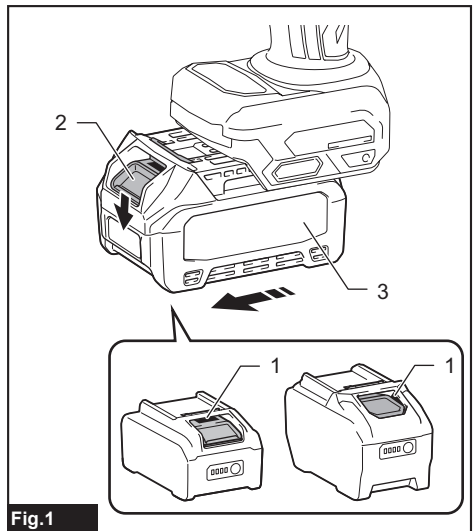


Fig.1

► 1. Red indicator 2. Button 3. Battery cartridge

To remove the battery cartridge, slide it from the tool while sliding the button on the front of the cartridge.

To install the battery cartridge, align the tongue on the battery cartridge with the groove in the housing and slip it into place. Insert it all the way until it locks in place with a little click. If you can see the red indicator as shown in the figure, it is not locked completely.

**CAUTION:** Always install the battery cartridge fully until the red indicator cannot be seen. If not, it may accidentally fall out of the tool, causing injury to you or someone around you.

**CAUTION:** Do not install the battery cartridge forcibly. If the cartridge does not slide in easily, it is not being inserted correctly.

## Tool / battery protection system

The tool is equipped with a tool/battery protection system. This system automatically cuts off power to the motor to extend tool and battery life. The tool will automatically stop during operation if the tool or battery is placed under one of the following conditions:

### Overload protection

When the tool/battery is operated in a manner that causes it to draw an abnormally high current, the tool stops automatically. In this situation, turn the tool off and stop the application that caused the tool to become overloaded. Then turn the tool on to restart.

### Overheat protection

When the tool/battery is overheated, the tool stops automatically and the lamp will blink. In this situation, let the tool cool down before turning the tool on again.

### Overdischarge protection

When the battery capacity is not enough, the tool stops automatically. In this case, remove the battery from the tool and charge the battery.

## Indicating the remaining battery capacity

Press the check button on the battery cartridge to indicate the remaining battery capacity. The indicator lamps light up for a few seconds.

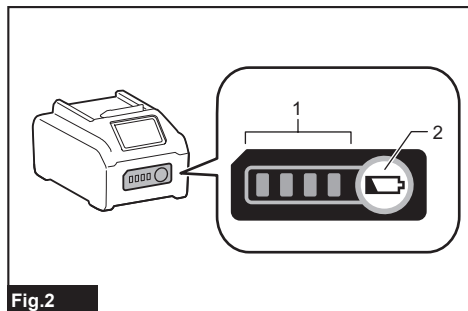


Fig.2

► 1. Indicator lamps 2. Check button

Indicator lamps			Remaining capacity
Lighted	Off	Blinking	
■ ■ ■ ■			75% to 100%
■ ■ ■ □			50% to 75%
■ ■ □ □			25% to 50%
■ □ □ □			0% to 25%
▣ □ □ □			Charge the battery.
■ ■ □ □			The battery may have malfunctioned.
□ □ ■ ■	↑ ↓		

**NOTE:** Depending on the conditions of use and the ambient temperature, the indication may differ slightly from the actual capacity.

**NOTE:** The first (far left) indicator lamp will blink when the battery protection system works.

## Switch action

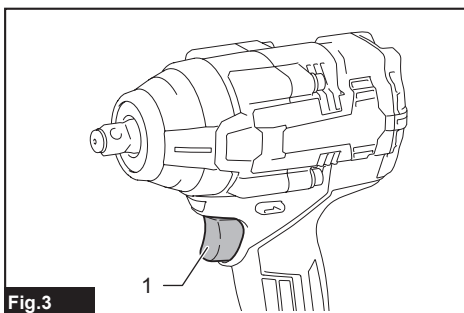


Fig.3

► 1. Switch trigger

**CAUTION:** Before installing the battery cartridge into the tool, always check to see that the switch trigger actuates properly and returns to the "OFF" position when released.

To start the tool, simply pull the switch trigger. Tool speed is increased by increasing pressure on the switch trigger. Release the switch trigger to stop.

**NOTE:** The tool automatically stops when you keep pulling the switch trigger for 6 minutes.

**NOTE:** When full speed mode is turned on, the rotation speed becomes fastest even if you do not pull the switch trigger fully.

For detail information, refer to the section of full speed mode.

## Lighting up the front lamp

**CAUTION:** Do not look in the light or see the source of light directly.

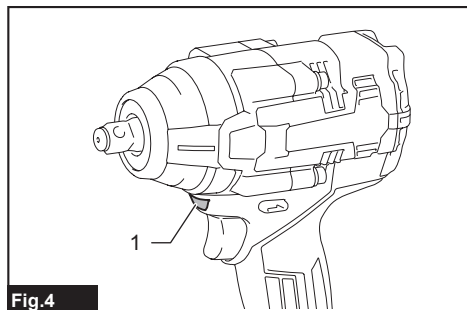


Fig.4

► 1. Lamp

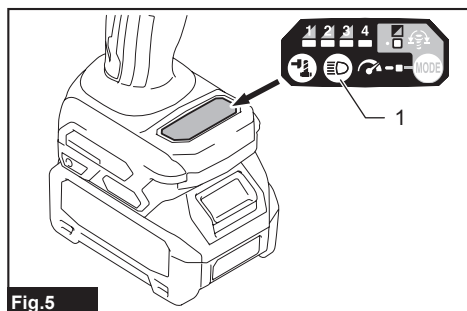




Fig.5

► 1. Button 

To turn on the lamp status, press the button  for one second. To turn off the lamp status, press the button  for one second again.

With the lamp status ON, pull the switch trigger to turn on the lamp. To turn off, release it. The lamp goes out approximately 10 seconds after releasing the switch trigger.

With the lamp status OFF, the lamp does not turn on even if pulling the trigger.

**NOTE:** To confirm the lamp status, pull the trigger. When the lamp lights up by pulling the switch trigger, the lamp status is ON. When the lamp does not come on, the lamp status is OFF.

**NOTE:** When the tool is overheated, the light flashes for one minute, and then the LED display goes off. In this case, cool down the tool before operating again.

**NOTE:** Use a dry cloth to wipe the dirt off the lens of the lamp. Be careful not to scratch the lens of lamp, or it may lower the illumination.

**NOTE:** While pulling the switch trigger, the lamp status cannot be changed.

**NOTE:** For approximately 10 seconds after releasing the switch trigger, the lamp status can be changed.

## Reversing switch action

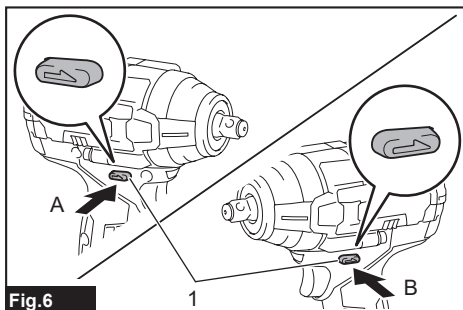


Fig.6

► 1. Reversing switch lever

**CAUTION:** Always check the direction of rotation before operation.

**CAUTION:** Use the reversing switch only after the tool comes to a complete stop. Changing the direction of rotation before the tool stops may damage the tool.

**CAUTION:** When not operating the tool, always set the reversing switch lever to the neutral position.


This tool has a reversing switch to change the direction of rotation. Depress the reversing switch lever from the A side for clockwise rotation or from the B side for counterclockwise rotation.

When the reversing switch lever is in the neutral position, the switch trigger cannot be pulled.



# Changing the application mode

## Changing the impact force

You can change the impact force in four steps: 4 (max), 3 (hard), 2 (medium), and 1 (soft). This allows a tightening suitable to the work.

The level of the impact force changes every time you press the button .

You can change the impact force within approximately one minute after releasing the switch trigger.

**NOTE:** You can extend the time to change the impact force approximately one minute if you press the button  or .

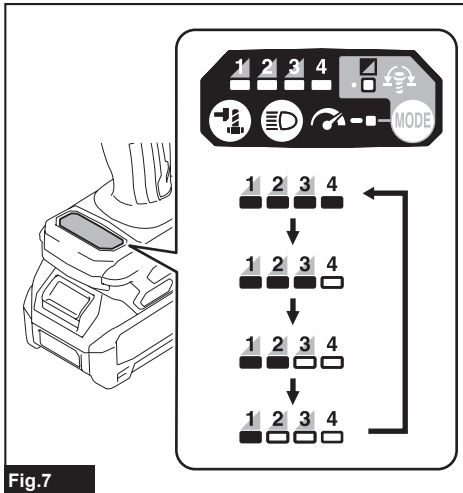
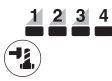
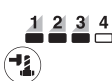
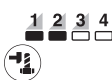
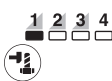




Fig.7

Application mode (Impact force grade displayed on panel)	Maximum blows	Purpose
4 (Max) 	2,900 min <sup>-1</sup> (/min)	Tightening with the maximum force and speed. Tightening when the force and the speed are desired.
3 (Hard) 	2,700 min <sup>-1</sup> (/min)	Tightening with less force and speed than Max mode (easier to control than Max mode). Tightening when the force and the speed are desired.
2 (Medium) 	1,900 min <sup>-1</sup> (/min)	Tightening when a good finishing is needed. Tightening when you need good control power.
1 (Soft) 	1,200 min <sup>-1</sup> (/min)	Tightening with less force to avoid screw thread breakage. Tightening when you need fine adjustment with small diameter bolts.

: The lamp is on.


**NOTE:** When none of the lamp on the panel is lit, pull the switch trigger once before pressing the button .

**NOTE:** All lamps on the switch panel go out when the tool is turned off to save the battery power. The impact force grade can be checked by pulling the switch trigger to the extent that the tool does not operate.





## Changing the application mode

This tool employs several easy-to-use application modes for driving bolts with good control.

The type of the application mode changes every time you press the button .

You can change the application mode within approximately one minute after releasing the switch trigger.

**NOTE:** You can extend the time to change the application mode approximately one minute if you press the button  or .

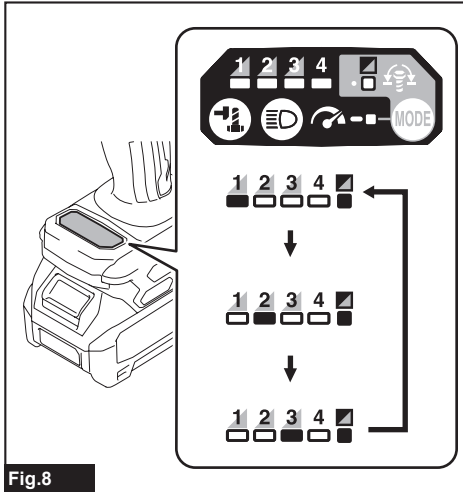
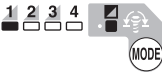






Fig.8

Application mode (Assist type displayed on panel)	Feature	Purpose
Bolt mode	<p><b>Clockwise</b> This mode helps to repeat screwdriving continuously with equal torque. This mode also helps to reduce the risk of breakage of bolts/nuts due to overtightening.</p> <p><b>Counterclockwise</b> This mode helps to prevent a bolt from falling off. When loosening a bolt with the tool driving in counterclockwise rotation, the tool automatically stops or slows down after the bolt/nut gets enough loosened.</p> <p><b>NOTE:</b> <b>The timing to stop the driving varies depending on the type of the bolt/nut and material to be driven. Make a test driving before using this mode.</b></p>	<p><b>Clockwise</b> Preventing overtightening of bolts.</p> <p><b>Counterclockwise</b> Loosening bolts.</p>
Bolt mode (1) 	<p><b>Clockwise</b> The tool stops automatically as soon as it has started impact blows.</p> <p><b>Counterclockwise</b> The impact force is 4. The tool stops automatically as soon as it has stopped impact blows.</p>	—
Bolt mode (2) 	<p><b>Clockwise</b> The tool stops automatically approximately 0.5 second later from the moment that the tool has started impact blows.</p> <p><b>Counterclockwise</b> The impact force is 4. The tool stops automatically approximately 0.2 second later from the moment that the tool has stopped impact blows.</p>	—
Bolt mode (3) 	<p><b>Clockwise</b> The tool stops automatically approximately 1 second later from the moment that the tool has started impact blows.</p> <p><b>Counterclockwise</b> The tool slows down the rotation after it has stopped impact blows.</p>	—

: The lamp is on.

**NOTE:** When none of the lamp on the panel is lit, pull the switch trigger once before pressing the button .

**NOTE:** All lamps on the switch panel go out when the tool is turned off to save the battery power. The type of the application mode can be checked by pulling the switch trigger to the extent that the tool does not operate.

## Full speed mode

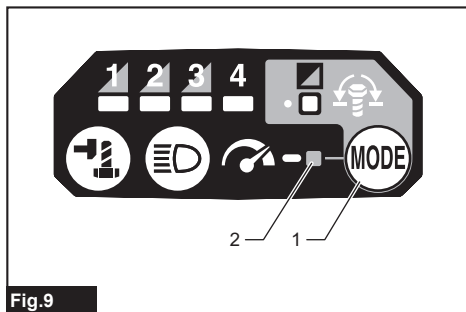
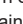
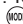


Fig.9

- 1. Button  2. Lamp

When full speed mode is turned on, the tool speed becomes fastest even if you do not pull the switch trigger fully. When full speed mode is turned off, the tool speed increases as you increase the pressure on the switch trigger.

To turn on full speed mode, press and hold the button . To turn off full speed mode, press and hold the button  again.

The lamp turns on while full speed mode is on.

**NOTE:** Full speed mode continues even after switching the impact force mode/auto stop mode.

## Electronic function

### Electric brake

This tool is equipped with an electric brake. If the tool consistently fails to quickly cease to function after the switch trigger is released, have the tool serviced at a Makita service center.

## ASSEMBLY

**CAUTION:** Always be sure that the tool is switched off and the battery cartridge is removed before carrying out any work on the tool.

### Selecting correct impact socket

Always use the correct size impact socket for bolts and nuts. An incorrect size impact socket will result in inaccurate and inconsistent fastening torque and/or damage to the bolt or nut.

## Installing or removing impact socket

### Optional accessory

**CAUTION:** Make sure that the impact socket and the mounting portion are not damaged before installing the impact socket.

**CAUTION:** After inserting the impact socket, make sure that it is firmly secured. If it comes out, do not use it.

**NOTE:** The way of impact socket installation varies depending on the type of the square drive on the tool.

### Tool with the ring spring

Model TW007G

#### For impact socket without O-ring and pin

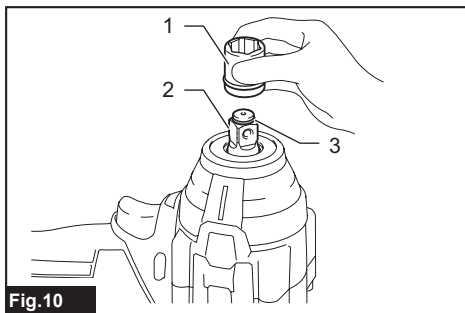


Fig.10

- 1. Impact socket 2. Square drive 3. Ring spring

Push the impact socket onto the square drive until it locks into place.

To remove the impact socket, simply pull it off.

#### For impact socket with O-ring and pin

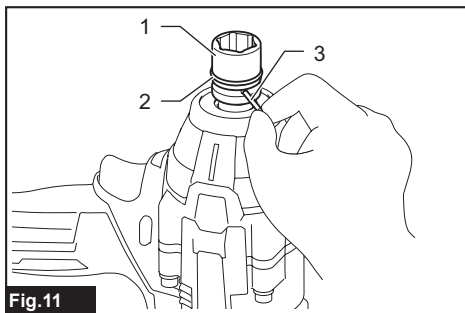


Fig.11

- 1. Impact socket 2. O-ring 3. Pin

Move the O-ring out of the groove in the impact socket and remove the pin from the impact socket. Fit the impact socket onto the square drive so that the hole in the impact socket is aligned with the hole in the square drive. Insert the pin through the hole in the impact socket and square drive. Then return the O-ring to the original position in the impact socket groove to retain the pin.

To remove the impact socket, follow the installation procedures in reverse.

## Tool with the detent pin

Model TW008G

### For tool with light fit detent pin

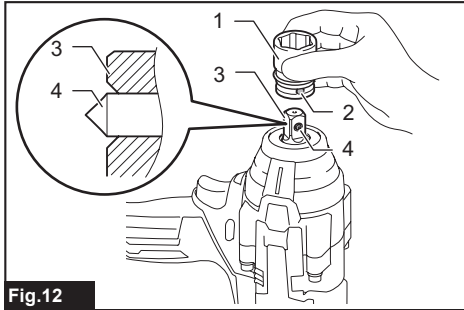


Fig.12

- 1. Impact socket 2. Hole 3. Square drive 4. Detent pin

To install the socket, align the hole in the side of the socket with the detent pin on the square drive, and then, push it onto the square drive until it locks into place. Tap it lightly if required.

To remove the socket, simply pull it off.

### For tool with firm fit detent pin

#### Optional accessory

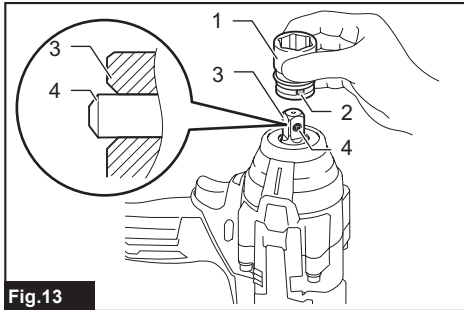


Fig.13

- 1. Impact socket 2. Hole 3. Square drive 4. Detent pin

To install the socket, align the hole in the side of the socket with the detent pin on the square drive, and then, push it onto the square drive until it locks into place. Tap it lightly if required.

To remove the socket, depress the detent pin through the hole in the socket and pull the socket off the square drive.

**NOTE:** The firm fit detent pin may fit too securely to remove the socket.

In that case, depress the firm fit detent pin fully and pull the socket off the square drive.

## Installing hook

**CAUTION:** When installing the hook, always secure it with the screw firmly. If not, the hook may come off from the tool and result in the personal injury.

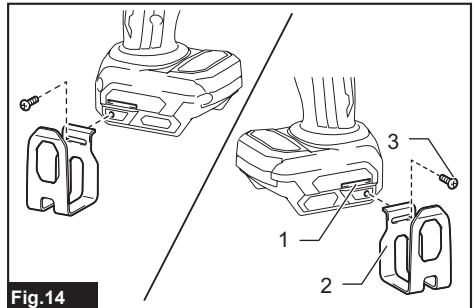


Fig.14

- 1. Groove 2. Hook 3. Screw

The hook is convenient for temporarily hanging the tool. This can be installed on either side of the tool. To install the hook, insert it into a groove in the tool housing on either side and then secure it with a screw. To remove, loosen the screw and then take it out.

## OPERATION

**CAUTION:** Always insert the battery cartridge all the way until it locks in place. If you can see the red indicator, it is not locked completely. Insert it fully until the red indicator cannot be seen. If not, it may accidentally fall out of the tool, causing injury to you or someone around you.

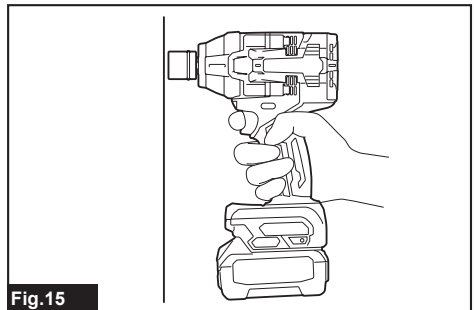
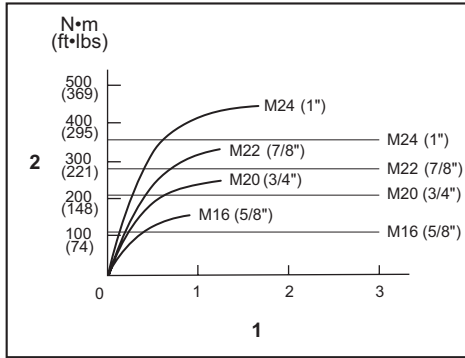


Fig.15

Hold the tool firmly and place the impact socket over the bolt or nut. Turn the tool on and fasten for the proper fastening time.

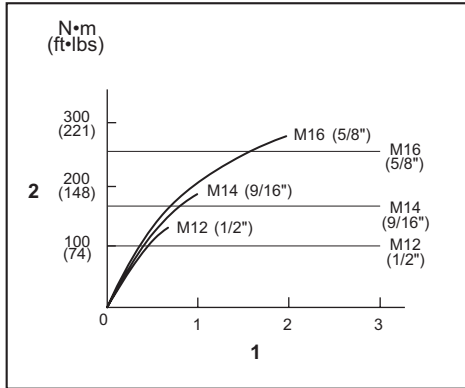
The proper fastening torque may differ depending upon the kind or size of the bolt, the material of the workpiece to be fastened, etc. The relation between fastening torque and fastening time is shown in the figures.

**Proper fastening torque for standard bolt with max impact mode (4)**



1. Fastening time (second) 2. Fastening torque

**Proper fastening torque for high tensile bolt with max impact mode (4)**



1. Fastening time (second) 2. Fastening torque

**NOTE:** Hold the tool pointed straight at the bolt or nut.

**NOTE:** Excessive fastening torque may damage the bolt/nut or impact socket. Before starting your job, always perform a test operation to determine the proper fastening time for your bolt or nut.

**NOTE:** If the tool is operated continuously until the battery cartridge has discharged, allow the tool to rest for 15 minutes before proceeding with a fresh battery cartridge.

The fastening torque is affected by a wide variety of factors including the following. After fastening, always check the torque with a torque wrench.

- When the battery cartridge is discharged almost completely, voltage will drop and the fastening torque will be reduced.
- Impact socket
  - Failure to use the correct size impact socket will cause a reduction in the fastening torque.
  - A worn impact socket (wear on the hex end or square end) will cause a reduction in the fastening torque.

- Bolt
  - Even though the torque coefficient and the class of bolt are the same, the proper fastening torque will differ according to the diameter of bolt.
  - Even though the diameters of bolts are the same, the proper fastening torque will differ according to the torque coefficient, the class of bolt and the bolt length.
- The use of the universal joint or the extension bar somewhat reduces the fastening force of the impact wrench. Compensate by fastening for a longer period of time.
- The manner of holding the tool or the material of driving position to be fastened will affect the torque.
- Operating the tool at low speed will cause a reduction in the fastening torque.

## MAINTENANCE

**CAUTION:** Always be sure that the tool is switched off and the battery cartridge is removed before attempting to perform inspection or maintenance.

**NOTICE:** Never use gasoline, benzine, thinner, alcohol or the like. Discoloration, deformation or cracks may result.

To maintain product SAFETY and RELIABILITY, repairs, any other maintenance or adjustment should be performed by Makita Authorized or Factory Service Centers, always using Makita replacement parts.

## OPTIONAL ACCESSORIES

**CAUTION:** These accessories or attachments are recommended for use with your Makita tool specified in this manual. The use of any other accessories or attachments might present a risk of injury to persons. Only use accessory or attachment for its stated purpose.

If you need any assistance for more details regarding these accessories, ask your local Makita Service Center.

- Impact socket
- Extension bar
- Universal joint
- Pin 4 Set (For TW008G only)
- Socket extension
- Extension handle
- Makita genuine battery and charger

**NOTE:** Some items in the list may be included in the tool package as standard accessories. They may differ from country to country.

## **MAKITA LIMITED WARRANTY**

Please refer to the annexed warranty sheet for the most current warranty terms applicable to this product. If annexed warranty sheet is not available, refer to the warranty details set forth at below website for your respective country.

United States of America: [www.makitatools.com](http://www.makitatools.com)

Canada: [www.makita.ca](http://www.makita.ca)

Other countries: [www.makita.com](http://www.makita.com)

## SPÉCIFICATIONS

Modèle :		TW007G	TW008G
Capacités de serrage	Boulon standard	M10 - M24 (3/8" - 1")	
	Boulon à haute résistance	M10 - M16 (3/8" - 5/8")	
Tige d'entraînement carrée		12,7 mm (1/2")	
Vitesse à vide	Mode d'impact max. (4)	0 - 2 300 /min	
	Mode d'impact puissant (3)	0 - 1 900 /min	
	Mode d'impact moyen (2)	0 - 1 200 /min	
	Mode d'impact faible (1)	0 - 600 /min	
Chocs par minute	Mode d'impact max. (4)	0 - 2 900 /min	
	Mode d'impact puissant (3)	0 - 2 700 /min	
	Mode d'impact moyen (2)	0 - 1 900 /min	
	Mode d'impact faible (1)	0 - 1 200 /min	
Longueur hors-tout (avec batterie BL4040)		170 mm (6-11/16")	
Tension nominale		C.C. 36 V - 40 V max.	
Poids net		2,7 - 3,3 kg (6,0 - 7,3 lbs)	

- Étant donné l'évolution constante de notre programme de recherche et développement, les spécifications contenues dans ce manuel sont sujettes à modification sans préavis.
- Les spécifications peuvent varier suivant les pays.
- Le poids peut varier selon les accessoires, y compris la batterie. La plus légère et la plus lourde combinaisons, selon la procédure EPTA 01/2014, sont indiquées dans le tableau.

### Batteries et chargeurs applicables

Batterie	BL4020* / BL4025* / BL4040* / BL4050F * : Batterie recommandée
Chargeur	DC40RA / DC40RB / DC40RC

- Suivant la région où vous habitez, il se peut que certaines des batteries et certains des chargeurs énumérés ci-dessus ne soient pas disponibles.

**⚠ MISE EN GARDE :** Utilisez exclusivement les batteries et chargeurs énumérés ci-dessus. L'utilisation de toute autre batterie ou tout autre chargeur peut entraîner une blessure et/ou un incendie.

## CONSIGNES DE SÉCURITÉ

### Consignes de sécurité générales pour outils électriques

**⚠ MISE EN GARDE :** Lisez toutes les mises en garde, instructions, illustrations et spécifications qui accompagnent cet outil électrique. Il y a risque de décharge électrique, d'incendie et/ou de blessure grave si les instructions ci-dessous ne sont pas toutes respectées.

### Conservez toutes les mises en garde et instructions pour référence future.

Le terme « outil électrique » qui figure dans les avertissements fait référence à un outil électrique branché sur une prise de courant (par un cordon d'alimentation) ou alimenté par batterie (sans fil).

#### Sécurité de la zone de travail

1. **Maintenez la zone de travail propre et bien éclairée.** Les zones de travail encombrées ou sombres ouvrent grande la porte aux accidents.
2. **N'utilisez pas les outils électriques dans les atmosphères explosives, par exemple en présence de liquides, gaz ou poussières inflammables.** Les outils électriques produisent des étincelles au contact desquelles la poussière ou les vapeurs peuvent s'enflammer.

3. **Assurez-vous qu'aucun enfant ou curieux ne s'approche pendant que vous utilisez un outil électrique.** Vous risquez de perdre la maîtrise de l'outil si votre attention est détournée.

### Sécurité en matière d'électricité

1. **Les fiches d'outil électrique sont conçues pour s'adapter parfaitement aux prises de courant. Ne modifiez jamais la fiche de quelque façon que ce soit. N'utilisez aucun adaptateur de fiche sur les outils électriques avec mise à la terre.** En ne modifiant pas les fiches et en les insérant dans des prises de courant pour lesquelles elles ont été conçues, vous réduirez les risques de choc électrique.
2. **Évitez tout contact corporel avec les surfaces mises à la terre, telles que tuyaux, radiateurs, cuisinières et réfrigérateurs.** Le risque de choc électrique est plus élevé si votre corps se trouve mis à la terre.
3. **N'exposez pas les outils électriques à la pluie ou à l'eau.** La présence d'eau dans un outil électrique augmente le risque de choc électrique.
4. **Ne maltraitez pas le cordon. N'utilisez jamais le cordon pour transporter, tirer ou débrancher l'outil électrique. Maintenez le cordon à l'écart des sources de chaleur, de l'huile, des objets à bords tranchants et des pièces en mouvement.** Le risque de choc électrique est plus élevé lorsque les cordons sont endommagés ou enchevêtrés.
5. **Lorsque vous utilisez un outil électrique à l'extérieur, utilisez un cordon prolongateur conçu pour l'usage extérieur.** Les risques de choc électrique est moindre lorsqu'un cordon conçu pour l'usage extérieur est utilisé.
6. **Si vous devez utiliser un outil électrique dans un endroit humide, utilisez une source d'alimentation protégée par un disjoncteur de fuite à la terre.** L'utilisation d'un disjoncteur de fuite à la terre réduit le risque de choc électrique.
7. **Les outils électriques peuvent produire des champs électromagnétiques (CEM) qui ne sont pas préjudiciables à l'utilisateur.** Les utilisateurs de stimulateur cardiaque ou autres appareils médicaux similaires doivent toutefois demander conseil au fabricant et/ou à leur médecin avant d'utiliser cet outil électrique.

### Sécurité personnelle

1. **Restez alerte, attentif à vos mouvements et faites preuve de bon sens lorsque vous utilisez un outil électrique. N'utilisez pas les outils électriques si vous êtes fatigué ou avez pris une drogue, de l'alcool ou un médicament.** Un moment d'inattention pendant l'utilisation d'un outil électrique peut entraîner une grave blessure.
2. **Portez des dispositifs de protection personnelle. Portez toujours une protection oculaire.** Les risques de blessure seront moins élevés si vous utilisez des dispositifs de protection tels qu'un masque anti-poussière, des chaussures à semelle antidérapante, une coiffure résistante ou une protection d'oreilles.
3. **Évitez les démarrages accidentels. Assurez-vous que l'interrupteur est en position d'arrêt avant de brancher l'outil à la prise de courant et/ou au bloc-piles, et avant de prendre ou de transporter l'outil.** Vous ouvrez la porte aux accidents si vous transportez les outils électriques avec le doigt sur l'interrupteur ou si vous les branchez alors que l'interrupteur est en position de marche.

4. **Retirez toute clé de réglage ou de serrage avant de mettre l'outil électrique sous tension.** Toute clé laissée en place sur une pièce rotative de l'outil électrique peut entraîner une blessure.
5. **Ne vous étirez pas exagérément. Assurez-vous d'une bonne prise au sol et d'un bon équilibre en tout temps.** Cela vous permettra d'avoir une meilleure maîtrise de l'outil électrique dans les situations imprévues.
6. **Portez des vêtements adéquats. Ne portez ni vêtements amples ni bijoux. Gardez vos cheveux, vêtements et gants à l'écart des pièces en mouvement.** Les vêtements amples, bijoux ou cheveux longs peuvent être happés par les pièces en mouvement.
7. **Si des accessoires sont fournis pour raccorder un appareil d'aspiration et de collecte de la poussière, assurez-vous qu'ils sont correctement raccordés et qu'ils sont utilisés de manière adéquate.** L'utilisation d'un appareil de collecte permet de réduire les risques liés à la présence de poussière dans l'air.
8. **Évitez d'être complaisant et d'ignorer les principes de sécurité de l'outil en raison de la familiarité acquise par un usage fréquent des outils.** Un geste imprudent peut entraîner une grave blessure en une fraction de seconde.
9. **Portez toujours des lunettes à coques de protection pour protéger vos yeux contre les blessures lors de l'utilisation d'outils électriques. Les lunettes à coques doivent être conformes à ANSI Z87.1 aux États-Unis.** L'employeur a la responsabilité d'imposer l'utilisation d'équipements de protection de sécurité adéquats aux utilisateurs des outils électriques et à toute autre personne se trouvant dans la zone de travail immédiate.

### Utilisation et entretien des outils électriques

1. **Ne forcez pas l'outil électrique. Utilisez l'outil électrique adéquat suivant le type de travail à effectuer.** Si vous utilisez l'outil électrique adéquat et respectez le régime pour lequel il a été conçu, il effectuera un travail de meilleure qualité et plus sécuritaire.
2. **N'utilisez pas l'outil électrique s'il n'est pas possible de l'allumer et de l'éteindre avec son interrupteur.** Un outil électrique dont l'interrupteur est défectueux représente un danger et doit être réparé.
3. **Avant d'effectuer tout réglage, de remplacer un accessoire ou de ranger l'outil électrique, débranchez la fiche de la source d'alimentation et/ou retirez la batterie de l'outil électrique si elle est amovible.** Ces mesures préventives de sécurité réduisent les risques de démarrage accidentel de l'outil électrique.
4. **Après l'utilisation d'un outil électrique, rangez-le hors de portée des enfants et ne laissez aucune personne l'utiliser si elle n'est pas familiarisée avec l'outil électrique ou les présentes instructions d'utilisation.** Les outils électriques représentent un danger entre les mains de personnes qui n'en connaissent pas le mode d'utilisation.

5. **Effectuez l'entretien des outils électriques et des accessoires. Assurez-vous que les pièces mobiles ne sont pas désalignées ou coincées, qu'aucune pièce n'est cassée et que l'outil électrique n'a subi aucun dommage affectant son bon fonctionnement. Le cas échéant, faites réparer l'outil électrique avant de l'utiliser.** De nombreux accidents sont causés par des outils électriques mal entretenus.
6. **Maintenez les outils tranchants bien aiguisés et propres.** Un outil tranchant dont l'entretien est effectué correctement et dont les bords sont bien aiguisés risquera moins de se coincer et sera plus facile à maîtriser.
7. **Utilisez l'outil électrique, ses accessoires, ses embouts, etc., en respectant les présentes instructions, en tenant compte des conditions de travail et du type de travail à effectuer.** L'utilisation d'un outil électrique pour d'autres usages que ceux prévus peut entraîner une situation dangereuse.
8. **Gardez les poignées et surfaces de saisie sèches, propres et exemptes d'huile et de graisse.** Les poignées et surfaces de saisie glissantes ne permettent pas une manipulation sûre et une bonne maîtrise de l'outil dans les situations inattendues.
9. **Lors de l'utilisation de l'outil, ne portez pas de gants de travail en tissu qui risquent de s'enchevêtrer dans l'outil.** L'enchevêtrement de gants de travail en tissu dans les pièces en mouvement peut entraîner une blessure.

#### Utilisation et entretien des outils alimentés par batterie

1. **Pour recharger, utilisez uniquement le chargeur spécifié par le fabricant.** L'utilisation d'un chargeur conçu pour un type donné de bloc-piles comporte un risque d'incendie lorsqu'il est utilisé avec un autre type de bloc-piles.
2. **N'utilisez un outil électrique qu'avec le bloc-piles conçu spécifiquement pour cet outil.** Il y a un risque de blessure ou d'incendie si un autre bloc-piles est utilisé.
3. **Lorsque vous n'utilisez pas le bloc-piles, rangez-le à l'écart des objets métalliques tels que trombones, pièces de monnaie, clés, clous, vis ou autres petits objets métalliques qui risqueraient d'établir une connexion entre les bornes.** La mise en court-circuit des bornes de batterie peut causer des brûlures ou un incendie.
4. **Dans des conditions d'utilisation inadéquates de la batterie, il peut y avoir fuite d'électrolyte; évitez tout contact avec ce liquide. En cas de contact accidentel, rincez avec beaucoup d'eau. Si le liquide pénètre dans vos yeux, il faut aussi consulter un médecin.** L'électrolyte qui s'échappe de la batterie peut causer des irritations ou des brûlures.
5. **N'utilisez pas une batterie ou un outil s'il est endommagé ou modifié.** Les batteries endommagées ou modifiées peuvent avoir un comportement imprévisible dont peut résulter un incendie, une explosion ou un risque de blessure.

6. **N'exposez pas une batterie ou un outil au feu ou à une température excessive.** L'exposition au feu ou à une température supérieure à 130 °C peut entraîner une explosion.
7. **Suivez toutes les instructions de charge et ne chargez pas la batterie ou l'outil à l'extérieur de la plage de température spécifiée dans les instructions.** Charger de manière inadéquate ou à des températures hors de la plage spécifiée peut endommager la batterie et augmenter le risque d'incendie.

#### Réparation

1. **Faites réparer votre outil électrique par un réparateur qualifié qui utilise des pièces de rechange identiques aux pièces d'origine.** Le maintien de la sûreté de l'outil électrique sera ainsi assuré.
2. **N'essayez jamais de réparer les batteries endommagées.** La réparation des batteries ne doit être effectuée que par le fabricant ou par un fournisseur de service après-vente agréé.
3. **Suivez les instructions de lubrification et de remplacement des accessoires.**
4. **Ne modifiez pas ou n'essayez pas de réparer l'appareil ou la batterie autrement que tel qu'indiqué dans les instructions d'utilisation et d'entretien.**

### Consignes de sécurité pour boulonneuse sans fil

1. **Tenez l'outil par ses surfaces de prise isolées pendant toute opération où l'accessoire de fixation pourrait venir en contact avec un câblage dissimulé.** En cas de contact avec un conducteur sous tension, les pièces métalliques à découvert de l'outil peuvent devenir sous tension et transmettre un choc électrique à l'utilisateur.
2. **Portez une protection d'oreilles.**
3. **Avant l'installation, vérifiez soigneusement que la douille à choc ne porte ni marque d'usure, ni fissures ou tout autre dommage.**
4. **Tenez l'outil fermement.**
5. **Gardez les mains éloignées des pièces en rotation.**
6. **Ne touchez pas la douille à choc, le boulon, l'écrou ou la pièce immédiatement après l'utilisation.** Ils peuvent être extrêmement chauds et vous brûler la peau.
7. **Pensez toujours à prendre pied solidement.** Assurez-vous qu'il n'y a personne plus bas lorsque vous utilisez l'outil en position élevée.
8. **Le couple de serrage adéquat peut varier selon le type ou la taille du boulon.** Vérifiez le couple de serrage à l'aide d'une clé dynamométrique.
9. **Assurez-vous qu'il n'y a pas de câbles électriques, tuyaux d'eau, tuyaux de gaz, etc., pouvant entraîner un danger s'ils sont endommagés lors de l'utilisation de l'outil.**

### CONSERVEZ CES INSTRUCTIONS.






**⚠ MISE EN GARDE : NE** vous laissez PAS tromper (au fil d'une utilisation répétée) par un sentiment d'aisance ou de familiarité avec le produit en négligeant les consignes de sécurité qui accompagnent le produit.

**UNE UTILISATION INCORRECTE** ou le non-respect des règles de sécurité énoncées dans le présent manuel d'instructions peut provoquer des blessures graves.

## Symboles

Les symboles utilisés pour l'outil sont indiqués ci-dessous.

	volts
	courant continu
$n_s$	vitesse à vide
$\dots / \text{min}$ $r / \text{min}$	tours ou alternances par minute
	nombre de frappes

## Consignes de sécurité importantes pour la batterie

- Avant d'utiliser la batterie, lisez toutes les instructions et les mises en garde apposées sur (1) le chargeur de batterie, (2) la batterie et (3) le produit utilisant la batterie.**
- Ne démontez pas et ne modifiez pas la batterie.** Cela peut entraîner un incendie, une chaleur excessive ou une explosion.
- Cessez immédiatement l'utilisation si le temps de fonctionnement devient excessivement court.** Il y a un risque de surchauffe, de brûlures, voire d'explosion.
- Si l'électrolyte pénètre dans vos yeux, rincez-les à l'eau claire et consultez immédiatement un médecin.** Il y a un risque de perte de la vue.
- Ne court-circuitez pas la batterie :**
  - Ne touchez les bornes avec aucun matériau conducteur.
  - Évitez de ranger la batterie dans un conteneur avec d'autres objets métalliques tels que clous, pièces de monnaie, etc.
  - Évitez d'exposer la batterie à l'eau ou à la pluie.  
Un court-circuit de la batterie pourrait provoquer un fort courant, une surchauffe, parfois des brûlures et même une panne.
- Ne rangez pas et n'utilisez pas l'outil ou la batterie dans des emplacements où la température peut atteindre ou dépasser 50 °C (122 °F).**

- Ne jetez pas la batterie au feu même si elle est sérieusement endommagée ou complètement épuisée.** La batterie peut exploser au contact du feu.
- Évitez de clouer, de couper, d'écraser, de lancer ou d'échapper la batterie, ou de heurter un objet dur contre la batterie.** Cela peut entraîner un incendie, une chaleur excessive ou une explosion.
- N'utilisez pas une batterie si elle est endommagée.**
- Les batteries lithium-ion fournies sont soumises aux exigences de la législation sur les marchandises dangereuses.**  
Des exigences particulières sur l'emballage et l'étiquetage doivent être respectées lors du transport commercial par des tiers, des transitaires, etc. Pour préparer la marchandise à expédier, consultez un expert en matériaux dangereux si nécessaire. Respectez aussi les éventuelles réglementations nationales plus détaillées.  
Recouvrez de ruban isolant les contacts exposés, et emballez la batterie de sorte qu'elle ne puisse pas se déplacer à l'intérieur de l'emballage.
- Lors de l'élimination de la batterie, retirez-la de l'outil et éliminez-la dans un endroit sûr. Respectez la réglementation locale concernant l'élimination de la batterie.**
- N'utilisez les batteries qu'avec les produits spécifiés par Makita.** Installer les batteries sur des produits non conformes peut entraîner un incendie, une chaleur excessive, une explosion ou une fuite d'électrolyte.
- Si l'outil reste inutilisé pour une période prolongée, la batterie doit en être retirée.**
- Pendant et après l'utilisation, la batterie peut accumuler de la chaleur, ce qui peut causer des brûlures ou des brûlures à basse température. Faites attention lors de la manipulation des batteries chaudes.**
- Ne touchez pas la borne de l'outil immédiatement après l'utilisation, car elle peut être assez chaude pour causer des brûlures.**
- Ne laissez pas les copeaux, les poussières ou la terre se coincer dans les bornes, les trous et les rainures de la batterie.** Cela pourrait causer un réchauffement, un incendie, un éclatement et une défaillance de l'outil ou de la batterie et entraîner des brûlures ou des blessures corporelles.
- À moins que l'outil ne soit compatible avec l'utilisation à proximité des lignes électriques haute tension, n'utilisez pas la batterie à proximité d'une ligne électrique haute tension.** Cela peut entraîner un dysfonctionnement ou une panne de l'outil ou de la batterie.
- Gardez la batterie à l'écart des enfants.**

## CONSERVEZ CES INSTRUCTIONS.

**⚠ ATTENTION :** Utilisez exclusivement les batteries fabriquées par Makita. Les batteries autres que celles fabriquées par Makita ou les batteries modifiées peuvent exploser et causer un incendie, une blessure ou des dommages. Cela annule aussi la garantie Makita de l'outil et du chargeur Makita.

## Conseils pour maintenir la durée de service maximale de la batterie

1. Rechargez la batterie avant qu'elle ne soit complètement déchargée. Arrêtez toujours l'outil et rechargez la batterie quand vous remarquez que la puissance de l'outil diminue.
2. Ne rechargez jamais une batterie complètement chargée. La surcharge réduit la durée de service de la batterie.
3. Chargez la batterie à une température ambiante comprise entre 10 °C et 40 °C (50 °F et 104 °F). Si la batterie est chaude, laissez-la refroidir avant de la charger.
4. Lorsque vous n'utilisez pas la batterie, retirez-la de l'outil ou du chargeur.
5. Chargez la batterie si elle est restée inutilisée pendant une période prolongée (plus de six mois).

## DESCRIPTION DU FONCTIONNEMENT

**ATTENTION** : Assurez-vous toujours que l'outil est éteint et que sa batterie est retirée avant de l'ajuster ou de vérifier son fonctionnement.

### Installation ou retrait de la batterie

**ATTENTION** : Éteignez toujours l'outil avant d'installer ou de retirer la batterie.

**ATTENTION** : Tenez fermement l'outil et la batterie lors de l'installation ou du retrait de cette dernière. Si l'outil et la batterie ne sont pas tenus fermement, ils risquent de vous glisser des mains et de subir des dommages, ou encore de vous blesser.

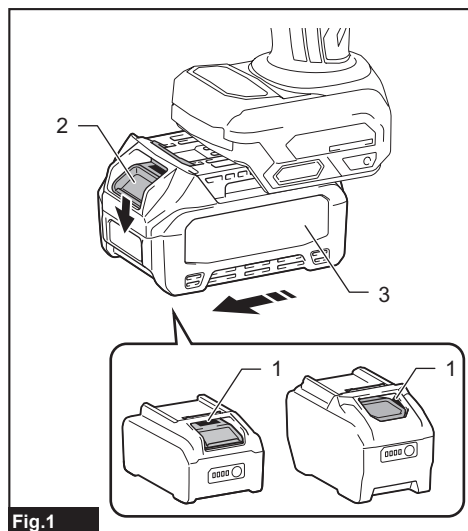


Fig.1

► 1. Indicateur rouge 2. Bouton 3. Batterie

Pour retirer la batterie, faites-la glisser hors de l'outil tout en glissant le bouton qui se trouve à l'avant.

Pour installer la batterie, alignez sa languette sur la rainure pratiquée dans le boîtier et glissez la batterie en place. Insérez-la à fond jusqu'à ce que vous entendiez un léger dé clic. Si vous pouvez voir l'indicateur rouge tel qu'illustré sur la figure, cela signifie qu'elle n'est pas complètement verrouillée.

**ATTENTION** : Installez toujours la batterie à fond jusqu'à ce que vous ne puissiez plus voir l'indicateur rouge. Autrement elle risque de tomber accidentellement de l'outil et d'entraîner des blessures.

**ATTENTION** : Ne forcez pas sur la batterie pour l'installer. Si la batterie ne glisse pas facilement, c'est qu'elle n'est pas insérée correctement.

## Dispositif de protection de l'outil et de la batterie

L'outil est équipé d'un système de protection d'outil/batterie. Ce système coupe automatiquement l'alimentation du moteur pour augmenter la durée de vie de l'outil et de la batterie. L'outil s'arrête automatiquement pendant l'utilisation lorsque l'outil ou la batterie est dans l'une des situations suivantes :

### Protection contre la surcharge

Lorsque l'outil ou la batterie est utilisé d'une façon qui lui fait consommer un courant anormalement élevé, l'outil s'arrête automatiquement. Dans ce cas, éteignez l'outil et arrêtez l'application qui cause une surcharge de l'outil. Remettez ensuite le contact pour redémarrer.

### Protection contre la surchauffe

Lorsque l'outil ou la batterie surchauffe, l'outil s'arrête automatiquement et la lampe se met à clignoter. Dans cette situation, laissez refroidir l'outil avant de le rallumer.

### Protection contre la décharge excessive

Lorsque la charge de la batterie est insuffisante, l'outil s'arrête automatiquement. Dans ce cas, retirez la batterie de l'outil et chargez la batterie.

## Affichage de la charge restante de la batterie

Appuyez sur le bouton de vérification de la batterie pour afficher la charge restante de la batterie. Les témoins indicateurs s'allument pendant quelques secondes.

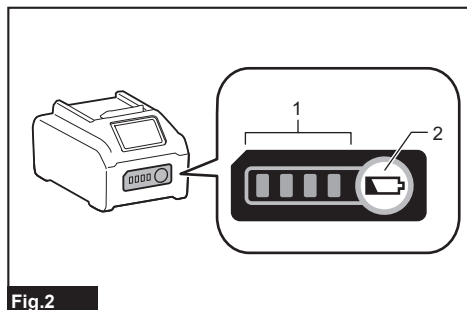


Fig.2

► 1. Témoins indicateurs 2. Bouton de vérification

Témoins indicateurs			Charge restante
Allumé	Éteint	Clignotant	
■	□	◐	75 % à 100 %
■	■	□	50 % à 75 %
■	■	□	25 % à 50 %
■	□	□	0 % à 25 %
◐	□	□	Chargez la batterie.
■	■	□	La batterie a peut-être mal fonctionné.
□	□	■	

**NOTE :** Suivant les conditions d'utilisation et la température ambiante, il se peut que l'indication soit légèrement différente de la charge réelle.

**NOTE :** La première lampe témoin (à l'extrémité gauche) clignote lorsque le dispositif de protection de la batterie s'active.

## Interrupteur

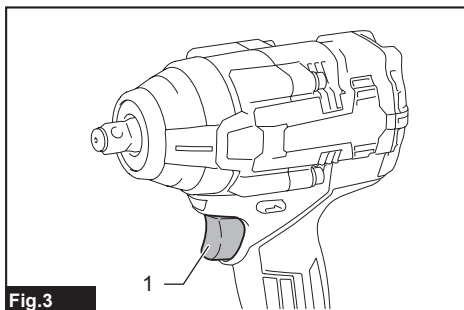


Fig.3

► 1. Gâchette

**ATTENTION :** Avant d'insérer la batterie dans l'outil, vérifiez toujours que la gâchette fonctionne bien et revient en position d'arrêt lorsque libérée.

Pour mettre l'outil en marche, appuyez simplement sur la gâchette. La vitesse de l'outil augmente à mesure que l'on accroît la pression exercée sur la gâchette. Pour arrêter l'outil, libérez la gâchette.

**NOTE :** L'outil s'arrête automatiquement lorsque vous appuyez constamment sur la gâchette pendant 6 minutes.

**NOTE :** Lorsque le mode pleine vitesse est activé, la vitesse de rotation augmente même si vous n'enfoncez pas complètement la gâchette.

Pour plus de détails, reportez-vous à la section sur le mode pleine vitesse.

## Allumage de la lampe avant

**⚠ ATTENTION :** Évitez de regarder directement le faisceau lumineux ou sa source.

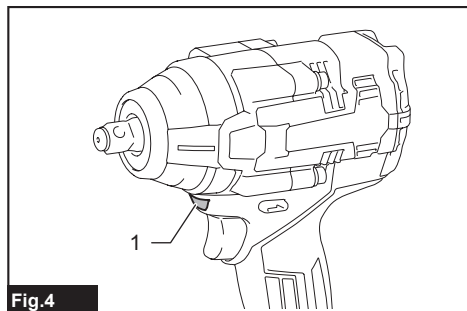


Fig.4

► 1. Lampe

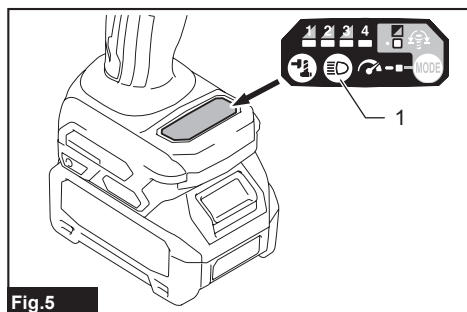




Fig.5

► 1. Bouton 

Pour activer l'éclairage, appuyez sur le bouton  pendant une seconde. Pour désactiver l'éclairage, appuyez de nouveau sur le bouton  pendant une seconde. Lorsque l'éclairage est activé (ON), appuyez sur la gâchette pour allumer la lampe. Pour l'éteindre, libérez la gâchette. La lampe s'éteint environ 10 secondes après la libération de la gâchette.

Lorsque l'éclairage est désactivé (OFF), la lampe ne s'allume pas même si la gâchette est enfoncée.

**NOTE :** Pour vérifier l'état de l'éclairage, appuyez sur la gâchette. Si la lampe s'allume lorsque la gâchette est enfoncée, l'éclairage est activé (ON). Si la lampe ne s'allume pas, l'éclairage est désactivé (OFF).

**NOTE :** Lorsque l'outil surchauffe, la lampe clignote pendant une minute puis l'affichage DEL s'éteint. Dans ce cas, laissez refroidir l'outil avant de l'utiliser à nouveau.

**NOTE :** Utilisez un linge sec pour enlever les poussières sur la lentille de la lampe. Prenez garde de rayer la lentille de la lampe, car cela peut affecter son intensité d'éclairage.

**NOTE :** L'éclairage ne peut être modifié pendant que la gâchette est enfoncée.

**NOTE :** L'éclairage peut être modifié environ 10 secondes après la libération de la gâchette.

## Fonctionnement de l'inverseur

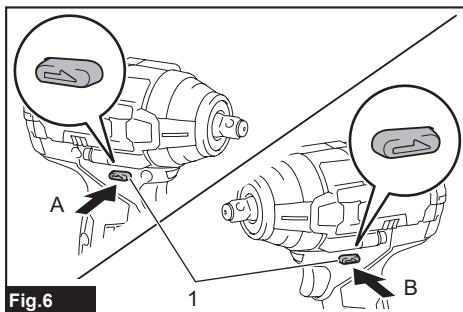


Fig.6

► 1. Levier inverseur

**⚠ ATTENTION :** Vérifiez toujours le sens de rotation avant de mettre l'outil en marche.

**⚠ ATTENTION :** N'actionnez l'inverseur qu'une fois l'outil complètement arrêté. Si vous changez le sens de rotation avant l'arrêt de l'outil, vous risquez de l'endommager.


**⚠ ATTENTION :** Lorsque vous n'utilisez pas l'outil, placez toujours le levier inverseur en position neutre.

L'outil possède un inverseur qui permet de changer le sens de rotation. Enfoncez le levier inverseur du côté A pour une rotation dans le sens des aiguilles d'une montre, ou du côté B pour une rotation dans le sens contraire des aiguilles d'une montre.



La pression sur la gâchette n'est pas possible lorsque le levier inverseur se trouve en position neutre.

## Modification de la force d'impact

Vous pouvez modifier la force d'impact selon quatre niveaux : 4 (max.), 3 (puissant), 2 (moyen) et 1 (faible). Ceci permet d'obtenir un serrage adéquat, selon le travail à effectuer.

Le niveau de la force d'impact change à chaque pression sur le bouton .

Vous pouvez modifier la force d'impact pendant environ une minute après la libération de la gâchette.

**NOTE :** Vous pouvez prolonger d'environ une minute le temps pendant lequel vous pouvez modifier la force d'impact, en appuyant sur le bouton  ou .

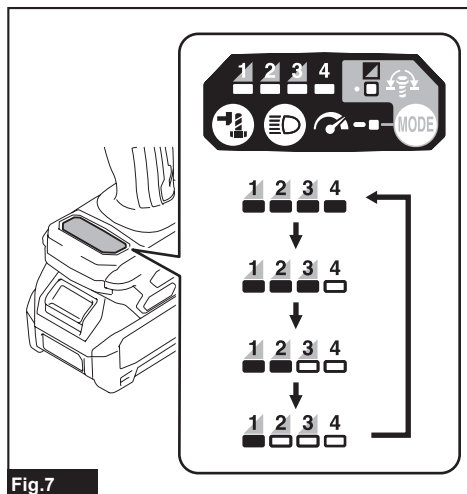
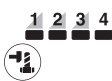
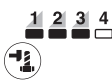
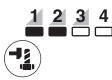
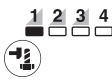



Fig.7

Mode d'application (Niveau de force d'impact affiché sur le panneau)	Coups maximum	But
4 (Max.) 	2 900 /min	Serrage à force et vitesse maximales. Pour un serrage qui demande de la force et de la vitesse.
3 (Puissant) 	2 700 /min	Serrage à force et vitesse inférieures au mode Max. (maîtrise plus facile qu'en mode Max.). Pour un serrage qui demande de la force et de la vitesse.
2 (Moyen) 	1 900 /min	Serrage lorsque le travail exige une bonne finition. Pour un serrage qui demande une puissance bien contrôlée.
1 (Faible) 	1 200 /min	Serrage avec moins de force pour éviter de foirer les filets de la vis. Pour un serrage qui demande un réglage fin avec des boulons de petit diamètre.

 : Le témoin est allumé.

**NOTE :** Lorsqu'aucun des témoins n'est allumé sur le panneau, appuyez une fois sur la gâchette avant d'appuyer sur le bouton .



**NOTE :** Toutes les lampes du panneau de commutation s'éteignent lorsque vous éteignez l'outil, pour économiser la batterie. Le niveau de force d'impact peut être vérifié en n'appuyant que légèrement sur la gâchette pour ne pas activer l'outil.

## Modification du mode d'application

Cet outil est doté de plusieurs modes d'application faciles à utiliser pour visser les boulons avec une bonne maîtrise.

Le type de mode d'application change à chaque pression sur le bouton .

Vous pouvez modifier le mode d'application pendant environ une minute après la libération de la gâchette.

**NOTE :** Vous pouvez prolonger d'environ une minute le temps pendant lequel vous pouvez modifier le mode d'application, en appuyant sur le bouton  ou .

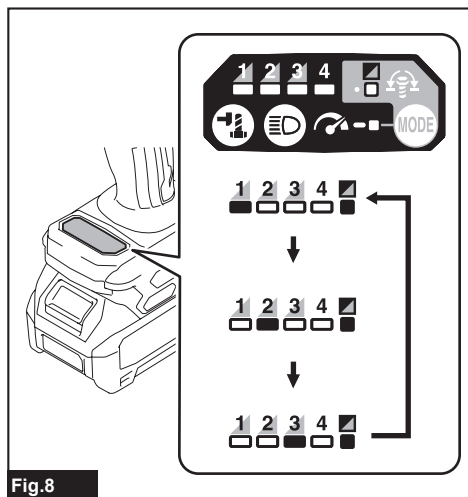






Fig.8

Mode d'application (Type d'assistance affiché sur le panneau)	Fonction	But
Mode boulon	<p><b>Sens des aiguilles d'une montre</b> Ce mode facilite la répétition continue du vissage avec le même couple. Ce mode facilite également la réduction des risques de bris des boulons ou des écrous par serrage excessif.</p> <p><b>Sens contraire des aiguilles d'une montre</b> Ce mode aide à empêcher le boulon de tomber. Lorsque vous desserrez un boulon avec l'outil tournant dans le sens contraire des aiguilles d'une montre, l'outil s'arrête ou ralentit automatiquement une fois le boulon ou l'écrou suffisamment desserré.</p> <p><b>NOTE :</b> Le moment de l'arrêt du vissage varie suivant le type de boulon ou d'écrou et suivant le matériau à visser. Avant d'utiliser ce mode, effectuez un essai de vissage.</p>	<p><b>Sens des aiguilles d'une montre</b> Prévention du serrage excessif des boulons.</p> <p><b>Sens contraire des aiguilles d'une montre</b> Desserrage des boulons.</p>
Mode boulon (1) 	<p><b>Sens des aiguilles d'une montre</b> L'outil s'arrête automatiquement aussitôt après avoir commencé à frapper.</p> <p><b>Sens contraire des aiguilles d'une montre</b> La force d'impact est 4. L'outil s'arrête automatiquement aussitôt après avoir cessé de frapper.</p>	-
Mode boulon (2) 	<p><b>Sens des aiguilles d'une montre</b> L'outil s'arrête automatiquement environ 0,5 seconde après avoir commencé à frapper.</p> <p><b>Sens contraire des aiguilles d'une montre</b> La force d'impact est 4. L'outil s'arrête automatiquement environ 0,2 seconde après avoir cessé de frapper.</p>	-
Mode boulon (3) 	<p><b>Sens des aiguilles d'une montre</b> L'outil s'arrête automatiquement environ 1 seconde après avoir commencé à frapper.</p> <p><b>Sens contraire des aiguilles d'une montre</b> L'outil ralentit la rotation après avoir cessé de frapper.</p>	-

 : Le témoin est allumé.

**NOTE** : Lorsqu'aucun des témoins n'est allumé sur le panneau, appuyez une fois sur la gâchette avant d'appuyer sur le bouton .

**NOTE** : Toutes les lampes du panneau de commutation s'éteignent lorsque vous éteignez l'outil, pour économiser la batterie. Le type de mode d'application peut être vérifié en n'appuyant que légèrement sur la gâchette pour ne pas activer l'outil.

## Mode pleine vitesse

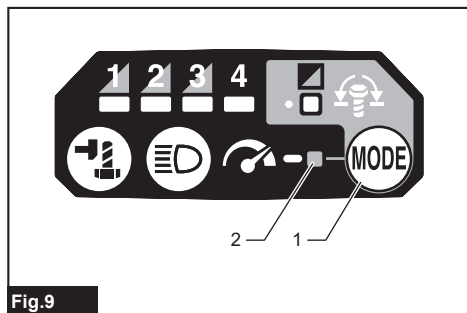




Fig.9

► 1. Bouton  2. Lampe

Lorsque le mode pleine vitesse est activé, la vitesse de l'outil augmente même si vous n'enfonchez pas complètement la gâchette. Lorsque le mode pleine vitesse est désactivé, la vitesse de l'outil augmente à mesure que vous augmentez la pression sur la gâchette.

Pour activer le mode pleine vitesse, maintenez le bouton  enfoncé. Pour désactiver le mode pleine vitesse, maintenez de nouveau le bouton  enfoncé.

Le témoin s'allume lorsque le mode pleine vitesse est activé.

**NOTE** : Le mode pleine vitesse demeure activé même après la commutation du mode de force d'impact ou du mode d'arrêt automatique.

## Fonction électronique

### Frein électrique

Cet outil est équipé d'un frein électrique. Si l'outil ne s'arrête jamais immédiatement après la libération de la gâchette, faites-le réparer dans un centre de service après-vente Makita.

## ASSEMBLAGE

**ATTENTION** : Assurez-vous toujours que l'outil est éteint et que sa batterie est retirée avant d'effectuer tout travail dessus.

### Sélection de la bonne douille à choc

Utilisez toujours une douille à choc de taille adéquate pour les boulons et écrous. Une douille à choc de taille inadéquate donnera un couple de serrage imprécis et irrégulier, et/ou endommagera le boulon ou l'écrou.

## Pose ou retrait de la douille à choc

### Accessoire en option

**ATTENTION** : Avant d'installer la douille à choc, assurez-vous que la douille à choc et la section de montage ne sont pas endommagées.

**ATTENTION** : Après avoir inséré la douille à choc, assurez-vous qu'elle est bien verrouillée. Si elle sort, ne l'utilisez pas.

**NOTE** : Le sens d'installation de la douille à choc varie suivant le type de tige d'entraînement carrée sur l'outil.

## Outil avec ressort annulaire

Modèle TW007G

### Pour douille à choc sans joint torique ni broche

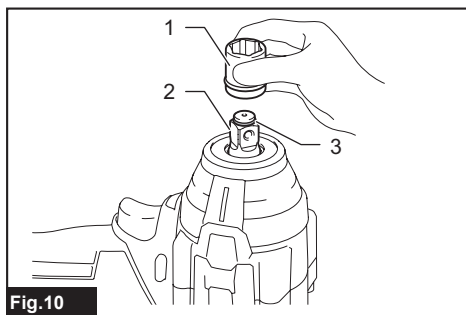


Fig.10

► 1. Douille à choc 2. Tige d'entraînement carrée  
3. Ressort annulaire

Poussez la douille à choc sur la tige d'entraînement carrée jusqu'à ce qu'elle se verrouille en place.

Pour retirer la douille à choc, tirez simplement dessus.

## Pour douille à choc avec joint torique et broche

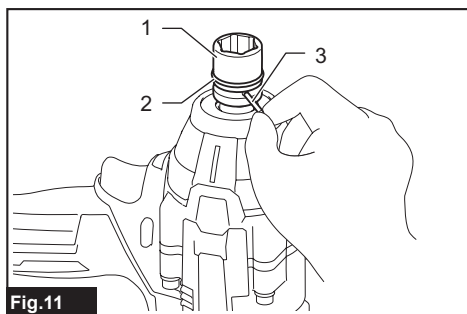


Fig.11

- 1. Douille à choc 2. Joint torique 3. Broche

Déplacez le joint torique hors de la rainure de la douille à choc, et retirez la broche de la douille à choc. Placez la douille à choc sur le tournevis carré de sorte que l'orifice de la douille à choc soit aligné sur l'orifice du tournevis carré.

Insérez la broche dans l'orifice de la douille à choc et du tournevis carré. Remettez ensuite le joint torique sur sa position originale dans la rainure de la douille à choc pour retenir la broche.

Pour retirer la douille à choc, suivez les étapes de l'installation en sens inverse.

## Outil avec cheville d'arrêt

Modèle TW008G

### Pour outil avec cheville d'arrêt à emboîtement léger

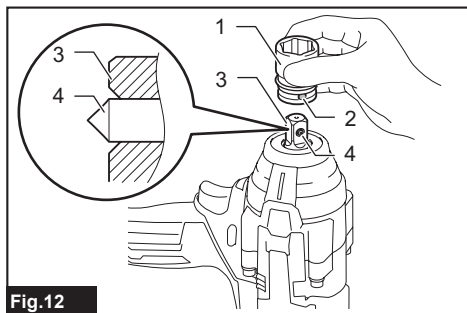


Fig.12

- 1. Douille à choc 2. Trou 3. Tige d'entraînement carrée 4. Cheville d'arrêt

Pour installer la douille, alignez le trou latéral de la douille sur la cheville d'arrêt de la tige d'entraînement carrée, puis enfoncez la douille dans la tige d'entraînement carrée jusqu'à ce qu'elle s'y verrouille. Tapez légèrement dessus, si nécessaire.

Pour retirer la douille, tirez simplement dessus.

## Pour outil avec cheville d'arrêt à emboîtement ferme

### Accessoire en option

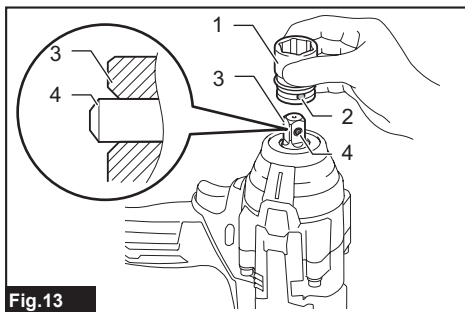


Fig.13

- 1. Douille à choc 2. Trou 3. Tige d'entraînement carrée 4. Cheville d'arrêt

Pour installer la douille, alignez le trou latéral de la douille sur la cheville d'arrêt de la tige d'entraînement carrée, puis enfoncez la douille dans la tige d'entraînement carrée jusqu'à ce qu'elle s'y verrouille. Tapez légèrement dessus si nécessaire.

Pour retirer la douille, enfoncez la cheville d'arrêt dans le trou de la douille et tirez sur la douille pour la faire sortir de la tige d'entraînement carrée.

**NOTE :** La cheville d'arrêt à emboîtement ferme peut s'emboîter trop solidement pour permettre de retirer la douille.

Le cas échéant, enfoncez complètement la cheville d'arrêt à emboîtement ferme et tirez sur la douille pour la faire sortir de la tige d'entraînement carrée.

## Installation du crochet

**ATTENTION :** Lorsque vous installez le crochet, fixez-le toujours fermement avec la vis. Autrement, le crochet risque de se détacher de l'outil et de causer une blessure.

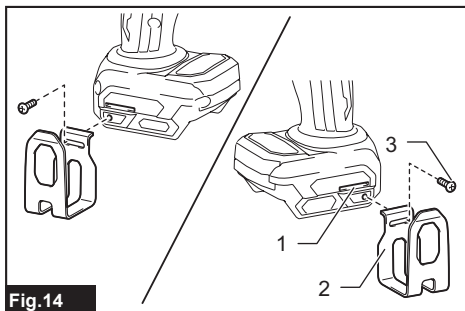


Fig.14

- 1. Rainure 2. Crochet 3. Vis

L'outil est équipé d'un crochet pratique qui permet de le suspendre temporairement. Il s'installe d'un côté comme de l'autre de l'outil. Pour installer le crochet, insérez-le dans l'une ou l'autre des rainures situées de chaque côté du boîtier de l'outil, puis serrez-le avec une vis. Pour le retirer, desserrez la vis et enlevez-la.



# UTILISATION

**⚠ ATTENTION : Insérez toujours la batterie à fond, jusqu'à ce qu'elle se verrouille en place.** Si vous pouvez voir un indicateur rouge, elle n'est pas verrouillée complètement. Insérez-la à fond, jusqu'à ce que l'indicateur rouge ne soit pas visible. Autrement elle risque de tomber accidentellement de l'outil, ce qui comporte un risque de blessure pour vous-même et pour les personnes présentes.

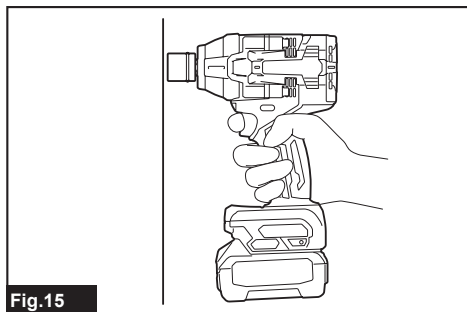
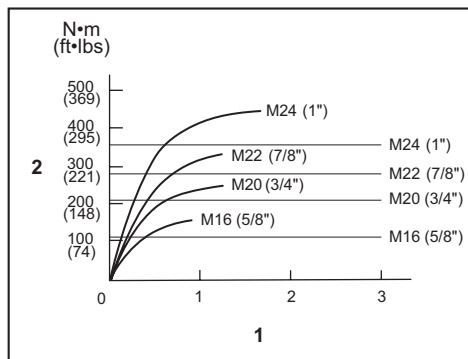


Fig.15

Saisissez fermement l'outil et placez la douille à choc sur le boulon ou l'écrou. Mettez l'outil en marche et procédez au serrage, en appliquant le temps de serrage adéquat.

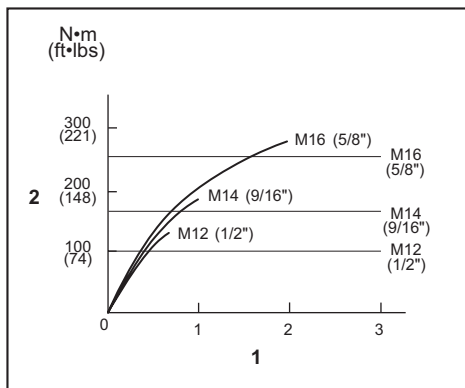
Le couple de serrage adéquat peut varier suivant la sorte ou taille de boulon, suivant le matériau dont se compose la pièce à serrer, etc. La relation entre le couple de serrage et le temps de serrage est indiquée dans les figures.

## Couple de serrage adéquat pour boulon standard en mode d'impact max. (4)



1. Temps de serrage (secondes) 2. Couple de serrage

## Couple de serrage adéquat pour boulon à haute résistance en mode d'impact max. (4)



1. Temps de serrage (secondes) 2. Couple de serrage

**NOTE :** Tenez l'outil bien droit sur le boulon ou l'écrou.

**NOTE :** Un couple de serrage excessif risque d'endommager le boulon/l'écrou ou la douille à choc. Avant de commencer le travail, effectuez toujours un essai pour déterminer le temps de serrage qui convient au boulon ou à l'écrou.

**NOTE :** Si l'outil est utilisé de manière continue jusqu'à ce que la batterie soit déchargée, laissez-le reposer 15 minutes avant de poursuivre avec une batterie fraîche.

Le couple de serrage dépend d'un certain nombre de facteurs, dont les suivants. Une fois le serrage terminé, vérifiez toujours le couple avec une clé dynamométrique.

- Lorsque la batterie est presque complètement déchargée, la tension tombe et le couple de serrage diminue.
- Douille à choc
  - L'utilisation d'une douille à choc de la mauvaise taille entraînera une réduction du couple de serrage.
  - Une douille à choc usée (usure sur l'extrémité hexagonale ou l'extrémité carrée) entraînera une réduction du couple de serrage.
- Boulon
  - Même si le coefficient du couple et la catégorie du boulon sont les mêmes, le couple de serrage adéquat variera en fonction du diamètre de boulon.
  - Même si les diamètres des boulons sont les mêmes, le couple de serrage adéquat variera en fonction du coefficient de couple, de la catégorie du boulon et de la longueur du boulon.
- L'utilisation d'un joint universel ou d'une barre de rallonge réduit quelque peu la force de serrage de la boulonneuse. Compensez en serrant plus longtemps.
- Le couple de serrage est affecté par la façon dont vous tenez l'outil ou par la position de vissage dans la pièce à visser.
- L'utilisation de l'outil à vitesse réduite entraîne une diminution du couple de serrage.

## ENTRETIEN

**⚠ ATTENTION** : Assurez-vous toujours que l'outil est hors tension et que la batterie est retirée avant d'y effectuer tout travail d'inspection ou d'entretien.

**AVIS** : N'utilisez jamais d'essence, de benzine, de solvant, d'alcool ou autres produits similaires. Une décoloration, une déformation ou la formation de fissures peuvent en découler.

Pour maintenir la SÉCURITÉ et la FIABILITÉ du produit, les réparations et tout autre travail d'entretien ou de réglage doivent être effectués dans un centre de service après-vente autorisé ou une usine Makita, exclusivement avec des pièces de rechange Makita.

## ACCESSOIRES EN OPTION

**⚠ ATTENTION** : Ces accessoires ou pièces complémentaires sont recommandés pour l'utilisation avec l'outil Makita spécifié dans ce manuel. L'utilisation de tout autre accessoire ou pièce complémentaire peut comporter un risque de blessure. N'utilisez les accessoires ou pièces complémentaires qu'aux fins auxquelles ils ont été conçus.

Si vous désirez obtenir plus de détails sur ces accessoires, veuillez contacter le centre de service après-vente Makita le plus près.

- Douille à choc
- Barre de rallonge
- Joint universel
- Jeu de broche 4 (pour TW008G uniquement)
- Rallonge de douille
- Poignée de rallonge
- Chargeur et batterie authentiques Makita

**NOTE** : Certains éléments de la liste peuvent être inclus avec l'outil comme accessoires standards. Ils peuvent varier suivant les pays.

## GARANTIE LIMITÉE MAKITA

Pour les conditions de garantie en vigueur qui s'appliquent à ce produit, veuillez vous reporter à la feuille de garantie en annexe. Si la feuille de garantie en annexe n'est pas disponible, reportez-vous aux détails de la garantie présentés sur le site Web de votre pays, ci-dessous.

États-Unis d'Amérique: [www.makitatools.com](http://www.makitatools.com)

Canada: [www.makita.ca](http://www.makita.ca)

Autres pays: [www.makita.com](http://www.makita.com)

## ESPECIFICACIONES

Modelo:		TW007G	TW008G
Capacidades de apriete	Perno estándar	10 mm - 24 mm (3/8" - 1")	
	Perno de alta resistencia	10 mm - 16 mm (3/8" - 5/8")	
Adaptador cuadrado		12,7 mm (1/2")	
Velocidad sin carga	Modo de impacto máx. (4)	0 r/min - 2 300 r/min	
	Modo de impacto duro (3)	0 r/min - 1 900 r/min	
	Modo de impacto medio (2)	0 r/min - 1 200 r/min	
	Modo de impacto suave (1)	0 r/min - 600 r/min	
Impactos por minuto	Modo de impacto máx. (4)	0 ipm - 2 900 ipm	
	Modo de impacto duro (3)	0 ipm - 2 700 ipm	
	Modo de impacto medio (2)	0 ipm - 1 900 ipm	
	Modo de impacto suave (1)	0 ipm - 1 200 ipm	
Longitud total (con cartucho de batería BL4040)		170 mm (6-11/16")	
Tensión nominal		36 V - 40 V c.c. máx.	
Peso neto		2,7 kg - 3,3 kg (6,0 lbs - 7,3 lbs)	

- Debido a nuestro continuo programa de investigación y desarrollo, las especificaciones aquí incluidas están sujetas a cambio sin previo aviso.
- Las especificaciones pueden variar de país a país.
- El peso puede variar en función de los accesorios, incluido el cartucho de batería. En la tabla se muestra la combinación de peso más ligero y más pesado conforme al procedimiento 01/2014 de EPTA.

### Cartucho de batería y cargador aplicables

Cartucho de batería	BL4020* / BL4025* / BL4040* / BL4050F * : Batería recomendada
Cargador	DC40RA / DC40RB / DC40RC

- Algunos de los cartuchos de batería y cargadores enumerados arriba podrían no estar disponibles dependiendo de su área de residencia.

**⚠ ADVERTENCIA:** Use únicamente los cartuchos de batería y los cargadores indicados arriba. El uso de cualquier otro cartucho de batería y cargador podría ocasionar una lesión y/o un incendio.

## ADVERTENCIAS DE SEGURIDAD

### Advertencias generales de seguridad para herramientas eléctricas

**⚠ ADVERTENCIA:** Lea todas las advertencias de seguridad, instrucciones, ilustraciones y especificaciones suministradas con esta herramienta eléctrica. El no seguir todas las instrucciones indicadas a continuación podría ocasionar una descarga eléctrica, incendio y/o lesiones graves.

### Conserve todas las advertencias e instrucciones como referencia en el futuro.

En las advertencias, el término "herramienta eléctrica" se refiere a su herramienta eléctrica de funcionamiento con conexión a la red eléctrica (con cableado eléctrico) o herramienta eléctrica de funcionamiento a batería (inalámbrica).

#### Seguridad en el área de trabajo

1. **Mantenga el área de trabajo limpia y bien iluminada.** Las áreas oscuras o desordenadas son propensas a accidentes.
2. **No utilice las herramientas eléctricas en atmósferas explosivas, tal como en la presencia de líquidos, gases o polvo inflamables.** Las herramientas eléctricas crean chispas que pueden prender fuego al polvo o los humos.
3. **Mantenga a los niños y curiosos alejados mientras utiliza una herramienta eléctrica.** Las distracciones le pueden hacer perder el control.

## Seguridad eléctrica

1. **Las clavijas de conexión de las herramientas eléctricas deberán encajar perfectamente en la toma de corriente. No modifique nunca la clavija de conexión de ninguna forma. No utilice ninguna clavija adaptadora con herramientas eléctricas que tengan conexión a tierra (puesta a tierra).** La utilización de clavijas no modificadas y que encajen perfectamente en la toma de corriente reducirá el riesgo de que se produzca una descarga eléctrica.
2. **Evite tocar con el cuerpo superficies conectadas a tierra o puestas a tierra tales como tubos, radiadores, cocinas y refrigeradores.** Si su cuerpo es puesto a tierra o conectado a tierra existirá un mayor riesgo de que sufra una descarga eléctrica.
3. **No exponga las herramientas eléctricas a la lluvia ni a condiciones húmedas.** La entrada de agua en una herramienta eléctrica aumentará el riesgo de que se produzca una descarga eléctrica.
4. **No maltrate el cable. Nunca utilice el cable para transportar, jalar o desconectar la herramienta eléctrica. Mantenga el cable alejado del calor, aceite, objetos cortantes o piezas móviles.** Los cables dañados o enredados aumentan el riesgo de sufrir una descarga eléctrica.
5. **Cuando utilice una herramienta eléctrica en exteriores, utilice un cable de extensión apropiado para uso en exteriores.** La utilización de un cable apropiado para uso en exteriores reducirá el riesgo de que se produzca una descarga eléctrica.
6. **Si no es posible evitar usar una herramienta eléctrica en condiciones húmedas, utilice un alimentador protegido con interruptor de circuito de falla a tierra (ICFT).** El uso de un ICFT reduce el riesgo de descarga eléctrica.
7. **Las herramientas eléctricas pueden producir campos electromagnéticos (CEM) que no son dañinos para el usuario.** Sin embargo, si los usuarios tienen marcapasos y otros dispositivos médicos similares, deberán consultar al fabricante de su dispositivo y/o a su médico antes de operar esta herramienta eléctrica.

## Seguridad personal

1. **Manténgase alerta, preste atención a lo que está haciendo y utilice su sentido común cuando opere una herramienta eléctrica. No utilice una herramienta eléctrica cuando esté cansado o bajo la influencia de drogas, alcohol o medicamentos.** Un momento de distracción mientras opera las herramientas eléctricas puede terminar en una lesión grave.
2. **Use equipo de protección personal. Póngase siempre protección para los ojos.** El equipo protector tal como máscara contra el polvo, zapatos de seguridad antiderrapantes, casco rígido y protección para oídos utilizado en las condiciones apropiadas reducirá el riesgo de lesiones.
3. **Impida el encendido accidental. Asegúrese de que el interruptor esté en la posición de apagado antes de conectar a la alimentación eléctrica y/o de colocar el cartucho de batería, así como al levantar o cargar la herramienta.** Cargar las herramientas eléctricas con su dedo en el interruptor o enchufarlas con el interruptor encendido hace que los accidentes sean comunes.

4. **Retire cualquier llave de ajuste o llave de apriete antes de encender la herramienta.** Una llave de ajuste o llave de apriete que haya sido dejada puesta en una parte giratoria de la herramienta eléctrica puede ocasionar alguna lesión.
5. **No utilice la herramienta donde no alcance. Mantenga los pies sobre suelo firme y el equilibrio en todo momento.** Esto permite un mejor control de la herramienta eléctrica en situaciones inesperadas.
6. **Use una vestimenta apropiada. No use ropa suelta ni alhajas. Mantenga el cabello, la ropa y los guantes alejados de las piezas móviles.** Las prendas de vestir holgadas, las alhajas y el cabello largo suelto podrían engancharse en estas piezas móviles.
7. **Si dispone de dispositivos para la conexión de equipos de extracción y recolección de polvo, asegúrese de conectarlos y utilizarlos debidamente.** Hacer uso de la recolección de polvo puede reducir los riesgos relacionados con el polvo.
8. **No permita que la familiaridad adquirida debido al uso frecuente de las herramientas haga que se sienta confiado e ignore los principios de seguridad de las herramientas.** Un descuido podría ocasionar una lesión grave en una fracción de segundo.
9. **Utilice siempre gafas protectoras para proteger sus ojos de lesiones al usar herramientas eléctricas. Las gafas deben cumplir con la Norma ANSI Z87.1 en EUA.** Es responsabilidad del empleador imponer el uso de equipos protectores de seguridad apropiados a los operadores de la herramienta y demás personas cerca del área de trabajo.

## Mantenimiento y uso de la herramienta eléctrica

1. **No fuerce la herramienta eléctrica. Utilice la herramienta eléctrica correcta para su aplicación.** La herramienta eléctrica adecuada hará un mejor trabajo y de forma más segura a la velocidad para la que ha sido fabricada.
2. **No utilice la herramienta eléctrica si el interruptor no la enciende y apaga.** Cualquier herramienta eléctrica que no pueda ser controlada con el interruptor es peligrosa y debe ser reemplazada.
3. **Desconecte la clavija de la fuente de alimentación y/o retire la batería de la herramienta eléctrica, en caso de ser removible, antes de realizar ajustes, cambiar accesorios o almacenar las herramientas eléctricas.** Tales medidas de seguridad preventivas reducirán el riesgo de poner en marcha la herramienta eléctrica de forma accidental.
4. **Guarde la herramienta eléctrica que no use fuera del alcance de los niños y no permita que las personas que no están familiarizadas con ella o con las instrucciones la operen.** Las herramientas eléctricas son peligrosas en manos de personas que no saben operarlas.

5. **Dé mantenimiento a las herramientas eléctricas y los accesorios. Compruebe que no haya piezas móviles desalineadas o estancadas, piezas rotas y cualquier otra condición que pueda afectar al funcionamiento de la herramienta eléctrica. Si la herramienta eléctrica está dañada, haga que la reparen antes de utilizarla.** Muchos de los accidentes son ocasionados por no dar un mantenimiento adecuado a las herramientas eléctricas.
6. **Mantenga las herramientas de corte limpias y filosas.** Si recibe un mantenimiento adecuado y tiene los bordes afilados, es probable que la herramienta se atasque menos y sea más fácil controlarla.
7. **Utilice la herramienta eléctrica, los accesorios y las brocas de acuerdo con estas instrucciones, considerando las condiciones laborales y el trabajo a realizar.** Si utiliza la herramienta eléctrica para realizar operaciones distintas de las indicadas, podrá presentarse una situación peligrosa.
8. **Mantenga los mangos y superficies de asiento secos, limpios y libres de aceite o grasa.** Los mangos y superficies de asiento resbalosos no permiten una manipulación segura ni el control de la herramienta en situaciones inesperadas.
9. **Cuando vaya a utilizar esta herramienta, evite usar guantes de trabajo de tela ya que éstos podrían atorarse.** Si los guantes de trabajo de tela llegaran a atorarse en las piezas móviles, esto podría ocasionar lesiones personales.

#### Uso y cuidado de la herramienta a batería

1. **Recargue sólo con el cargador especificado por el fabricante.** Un cargador que es adecuado para un solo tipo de batería puede generar riesgo de incendio al ser utilizado con otra batería.
2. **Utilice las herramientas eléctricas solamente con las baterías designadas específicamente para ellas.** La utilización de cualquier otra batería puede crear un riesgo de lesiones o incendio.
3. **Cuando no se esté usando la batería, manténgala alejada de otros objetos metálicos, como sujetapapeles (clips), monedas, llaves, clavos, tornillos u otros objetos pequeños de metal los cuales pueden actuar creando una conexión entre las terminales de la batería.** Originar un cortocircuito en las terminales puede causar quemaduras o incendios.
4. **En condiciones abusivas, podrá escapar líquido de la batería; evite tocarlo. Si lo toca accidentalmente, enjuague con agua. Si hay contacto del líquido con los ojos, busque asistencia médica.** Puede que el líquido expulsado de la batería cause irritación o quemaduras.
5. **No utilice una herramienta ni una batería que estén dañadas o hayan sido modificadas.** Las baterías dañadas o modificadas podrían ocasionar una situación inesperada provocando un incendio, explosión o riesgo de lesiones.
6. **No exponga la herramienta ni la batería al fuego ni a una temperatura excesiva.** La exposición al fuego o a una temperatura superior a los 130 °C podría causar una explosión.

7. **Siga todas las instrucciones para la carga y evite cargar la herramienta o la batería fuera del rango de temperatura especificado en las instrucciones.** Una carga inadecuada o a una temperatura fuera del rango especificado podría dañar la batería e incrementar el riesgo de incendio.

#### Servicio

1. **Haga que una persona calificada repare la herramienta eléctrica utilizando sólo piezas de repuesto idénticas.** Esto asegura que se mantenga la seguridad de la herramienta eléctrica.
2. **Nunca dé servicio a baterías que estén dañadas.** El servicio a las baterías solamente deberá ser efectuado por el fabricante o un agente de servicio autorizado.
3. **Siga las instrucciones para la lubricación y cambio de accesorios.**
4. **No modifique ni intente reparar el aparato ni el paquete de baterías salvo como se indique en las instrucciones para el uso y cuidado.**

### Advertencias de seguridad para la llave de impacto inalámbrica

1. **Sujete la herramienta eléctrica por las superficies de agarre aisladas al realizar una operación en la que el sujetador pueda entrar en contacto con cables ocultos.** Si el sujetador entra en contacto con un cable con corriente, las piezas metálicas expuestas de la herramienta eléctrica se cargarán también de corriente y el operario puede recibir una descarga.
2. **Póngase protectores de oídos.**
3. **Revise cuidadosamente el dado de impacto para ver que no haya desgaste, grietas o daños antes de la instalación.**
4. **Sujete la herramienta con firmeza.**
5. **Mantenga las manos alejadas de las piezas giratorias.**
6. **No toque el dado de impacto, el perno, la tuerca o la pieza de trabajo inmediatamente después de la operación.** Podrían estar extremadamente calientes y causarle quemaduras en la piel.
7. **Asegúrese siempre de que pisa sobre suelo firme. Asegúrese de que no haya nadie debajo cuando utilice la herramienta en lugares altos.**
8. **La torsión de apriete apropiada puede variar en función del tipo o tamaño del perno. Compruebe el par de apriete con una llave de torsión.**
9. **Asegúrese de que no haya cables eléctricos, tubos de agua, tubos de gas, etc. que pudieran representar un peligro en caso de ser dañados por el uso de la herramienta.**



### GUARDE ESTAS INSTRUCCIONES.

**⚠️ ADVERTENCIA: NO DEJE** que la comodidad o familiaridad con el producto (a base de utilizarlo repetidamente) evite que siga estrictamente las normas de seguridad para dicho producto.

**El USO INCORRECTO** o el no seguir las normas de seguridad indicadas en este manual de instrucciones puede ocasionar lesiones graves.

## Símbolos

A continuación se muestran los símbolos utilizados para la herramienta.

V	volts o voltios
	corriente directa o continua
$n_0$	velocidad sin carga
$\dots / \text{min}$ $r / \text{min}$	revoluciones o alternaciones por minuto, frecuencia de rotación
	número de percusiones

## Instrucciones importantes de seguridad para el cartucho de batería

1. Antes de utilizar el cartucho de batería, lea todas las instrucciones e indicaciones de precaución en el (1) el cargador de batería, (2) la batería, y (3) el producto con el que se utiliza la batería.
2. No desarme ni modifique el cartucho de batería. Podría ocurrir un incendio, calor excesivo o una explosión.
3. Si el tiempo de operación se ha acortado en exceso, deje de operar de inmediato. Podría correrse el riesgo de sobrecalentamiento, posibles quemaduras e incluso explosión.
4. En caso de que ingresen electrolitos en sus ojos, enjuáguelos bien con agua limpia y consulte de inmediato a un médico. Esto podría ocasionar pérdida de visión.
5. Evite cortocircuitar el cartucho de batería:
  - (1) No toque las terminales con ningún material conductor.
  - (2) Evite guardar el cartucho de batería en un cajón junto con otros objetos metálicos, tales como clavos, monedas, etc.
  - (3) No esponga el cartucho de batería al agua o la lluvia.Un cortocircuito en la batería puede causar un flujo grande de corriente, sobrecalentamiento, posibles quemaduras e incluso una descompostura.
6. No guarde ni utilice la herramienta y el cartucho de batería en lugares donde la temperatura pueda alcanzar o exceder los 50 °C (122 °F).
7. Nunca incinere el cartucho de batería incluso en el caso de que esté dañado seriamente o ya no sirva en absoluto. El cartucho de batería puede explotar si se tira al fuego.
8. No clave, corte, aplaste, lance o deje caer el cartucho de batería, ni golpee un objeto sólido contra el cartucho de batería. Dicha acción podría resultar en un incendio, calor excesivo o en una explosión.

9. No use una batería dañada.
10. Las baterías de ión de litio están sujetas a los requisitos reglamentarios en materia de bienes peligrosos.

Para el trasporte comercial, por ej., mediante terceros o agentes de transporte, se deben tomar en cuenta los requisitos especiales relativos al empaque y el etiquetado.

Para efectuar los preparativos del artículo que se va a enviar, se requiere consultar a un experto en materiales peligrosos. Si es posible, consulte además otras regulaciones nacionales más detalladas.

Pegue o cubra con cinta adhesiva los contactos abiertos y empaque la batería de manera que ésta no pueda moverse dentro del paquete.
11. Para deshacerse del cartucho de batería, sáquelo de la herramienta y deséchelo en un lugar seguro. Siga las regulaciones locales relacionadas al desecho de las baterías.
12. Utilice las baterías únicamente con los productos especificados por Makita. Instalar las baterías en productos que no cumplan con los requisitos podría ocasionar un incendio, un calentamiento excesivo, una explosión o una fuga de electrolito.
13. Si no se utiliza la herramienta por un período largo, debe extraerse la batería de la herramienta.
14. El cartucho de batería podría absorber calor durante y después de su uso, lo que ocasionaría quemaduras o quemaduras a baja temperatura. Tenga cuidado con la manipulación de los cartuchos de batería que estén calientes.
15. No toque el terminal de la herramienta inmediatamente después de su uso, ya que el mismo podría estar lo suficientemente caliente como para provocar quemaduras.
16. No permita que las rebabas, el polvo o la tierra queden atrapados en los terminales, orificios y ranuras del cartucho de batería. Podría provocar calentamiento, incendio, explosión y mal funcionamiento de la herramienta o del cartucho de batería, lo que resultaría en quemaduras o lesiones personales.
17. No utilice el cartucho de batería cerca de cables eléctricos de alto voltaje, a menos que la herramienta sea compatible con el uso cercano a estos cables eléctricos de alto voltaje. Esto podría ocasionar una avería o descompostura de la herramienta o del cartucho de batería.
18. Mantenga la batería alejada de los niños.

## GUARDE ESTAS INSTRUCCIONES.

**⚠PRECAUCIÓN:** Utilice únicamente baterías originales de Makita. El uso de baterías no originales de Makita, o de baterías alteradas, puede ocasionar que las baterías exploten causando un incendio, lesiones personales y daños. Asimismo, esto invalidará la garantía de Makita para la herramienta y el cargador Makita.

## Consejos para alargar al máximo la vida útil de la batería

1. Cargue el cartucho de batería antes de que se descargue completamente. Pare siempre la operación y cargue el cartucho de batería cuando note menos potencia en la herramienta.
2. No cargue nunca un cartucho de batería que esté completamente cargado. La sobrecarga acortará la vida de servicio de la batería.
3. Cargue el cartucho de batería a una temperatura ambiente de 10 °C - 40 °C (50 °F - 104 °F). Si un cartucho de batería está caliente, déjelo enfriar antes de cargarlo.
4. Cuando no utilice el cartucho de batería, sáquelo de la herramienta o del cargador.
5. Cargue el cartucho de batería si no va a utilizarlo durante un período prolongado (más de seis meses).

## DESCRIPCIÓN DEL FUNCIONAMIENTO

**⚠ PRECAUCIÓN:** Asegúrese siempre de que la herramienta esté apagada y el cartucho de batería haya sido extraído antes de realizar cualquier ajuste o comprobación en la herramienta.

### Instalación o extracción del cartucho de batería

**⚠ PRECAUCIÓN:** Apague siempre la herramienta antes de colocar o quitar el cartucho de batería.

**⚠ PRECAUCIÓN:** Sujete la herramienta y el cartucho de la batería con firmeza al colocar o quitar el cartucho de batería. Si no se sujeta con firmeza la herramienta y el cartucho de batería, puede ocasionar que se resbalen de sus manos causando daños a la herramienta y al cartucho de batería, así como lesiones a la persona.

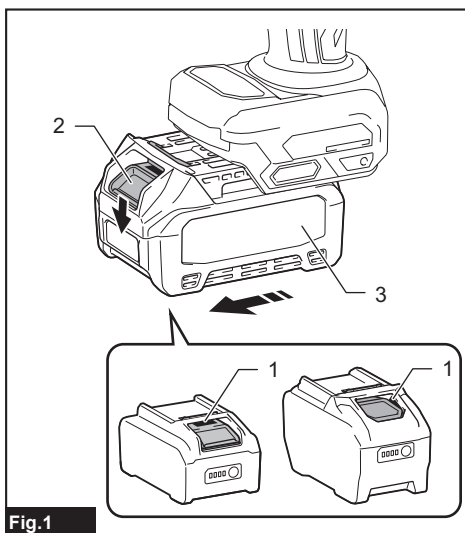


Fig.1

► 1. Indicador rojo 2. Botón 3. Cartucho de batería

Para quitar el cartucho de batería, deslícelo de la herramienta mientras desliza el botón sobre la parte delantera del cartucho.

Para instalar el cartucho de batería, alinee la lengüeta sobre el cartucho de batería con la ranura en la carcasa y deslícela hasta su lugar. Insértelo por completo hasta que se fije en su lugar con un pequeño clic. Si puede ver el indicador rojo como se muestra en la ilustración, este no ha quedado asegurado por completo.

**⚠ PRECAUCIÓN:** Introduzca siempre completamente el cartucho de batería hasta que el indicador rojo no pueda verse. Si no, podría accidentalmente salirse de la herramienta y caer al suelo causando una lesión a usted o alguien a su alrededor.

**⚠ PRECAUCIÓN:** No instale el cartucho de batería a la fuerza. Si el cartucho no se desliza al interior fácilmente, se debe a que no está siendo insertado correctamente.

## Sistema de protección para la herramienta/batería

La herramienta está equipada con un sistema de protección de la herramienta/batería. Este sistema corta en forma automática el suministro de energía al motor para prolongar la vida útil de la herramienta y la batería. La herramienta se detendrá automáticamente durante la operación si la herramienta o la batería se someten a una de las siguientes condiciones:

### Protección contra sobrecarga

Cuando la herramienta/batería sea operada de tal forma que cause que use una cantidad de corriente anormalmente alta, la herramienta se detendrá automáticamente. En esta situación, apague la herramienta y detenga la aplicación que haya causado que la herramienta se sobrecargara. Luego encienda la herramienta para reiniciarla.

## Protección contra sobrecalentamiento

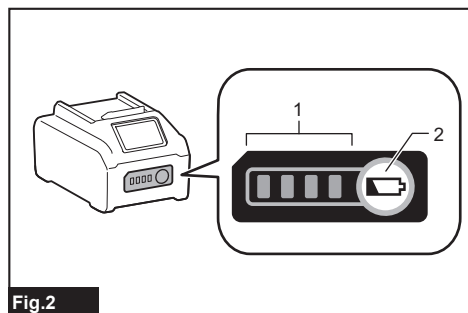
Cuando la herramienta/batería se sobrecalienten, la herramienta se detendrá automáticamente y la luz indicadora parpadeará. En este caso, permita que la herramienta se enfríe antes de volver a encenderla.

## Protección en caso de sobrecarga

Cuando la capacidad de la batería no es suficiente, la herramienta se detiene automáticamente. En este caso, retire la batería de la herramienta y cárguela.

## Indicación de la capacidad restante de la batería

Oprima el botón de verificación en el cartucho de la batería para que indique la capacidad restante de la batería. Las luces indicadoras se iluminarán por algunos segundos.



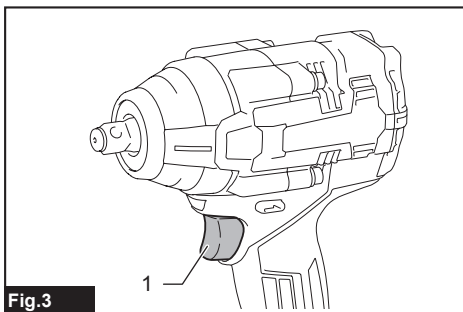
► 1. Luces indicadoras 2. Botón de verificación

Luces indicadoras			Capacidad restante
Iluminadas	Apagadas	Parpadeando	
■ ■ ■ ■			75% a 100%
■ ■ ■ □			50% a 75%
■ ■ □ □			25% a 50%
■ □ □ □			0% a 25%
▣ □ □ □			Cargar la batería.
■ ■ □ □			La batería pudo haber funcionado mal.
□ □ ■ ■			

**NOTA:** Dependiendo de las condiciones de uso y la temperatura ambiente, la indicación podrá diferir ligeramente de la capacidad real.

**NOTA:** La primera luz indicadora (extrema izquierda) parpadeará cuando el sistema de protección de batería esté en funcionamiento.

## Accionamiento del interruptor



► 1. Gatillo interruptor

**PRECAUCIÓN:** Antes de insertar el cartucho de batería en la herramienta, compruebe siempre y cerciórese de que el gatillo interruptor se acciona debidamente y que vuelve a la posición "OFF" (apagado) cuando lo suelta.

Para poner en marcha la herramienta, simplemente apriete el gatillo interruptor. La velocidad de la herramienta aumenta incrementando la presión en el gatillo. Para detenerla, suelte el gatillo.

**NOTA:** La herramienta se detendrá automáticamente si continúa jalando el gatillo interruptor durante 6 minutos.

**NOTA:** Cuando se activa el modo de velocidad máxima, la velocidad de rotación se vuelve más rápida incluso si no aprieta el gatillo interruptor por completo.

Para información detallada, consulte la sección del modo de velocidad máxima.



## Iluminación de la luz delantera

**PRECAUCIÓN:** No mire a la luz ni vea a la fuente de luz directamente.

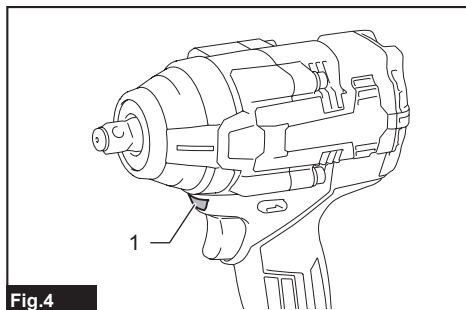


Fig.4

► 1. Luz

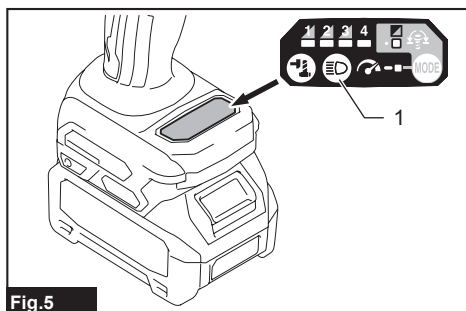




Fig.5

► 1. Botón 

Para activar el estado de la lámpara, presione el botón  durante un segundo. Para desactivar el estado de la lámpara, presione de nuevo el botón  durante un segundo. Con el estado de la lámpara activado, jale el gatillo interruptor para encender la lámpara. Para apagarla, libérela. La lámpara se apaga aproximadamente 10 segundos después de haber liberado el gatillo interruptor. Con el estado de la lámpara desactivado, la lámpara no se encenderá incluso al jalar el gatillo.

**NOTA:** Para confirmar el estado de la lámpara, jale el gatillo. Cuando la lámpara se enciende al jalar el gatillo interruptor, el estado de la lámpara está activado. Cuando la lámpara no se enciende, el estado de la lámpara está desactivado.

**NOTA:** Cuando la herramienta se sobrecalienta, la luz parpadea durante un minuto, y luego la pantalla LED se desactiva. En este caso, deje enfriar la herramienta antes de usarla de nuevo.

**NOTA:** Utilice un paño seco para quitar la suciedad de la lente de la lámpara. Tenga cuidado de no rayar la lente de la lámpara ya que la iluminación podría disminuir.

**NOTA:** Mientras se jala el gatillo interruptor, el estado de la lámpara no puede cambiarse.

**NOTA:** Aproximadamente 10 segundos después de haber soltado el gatillo interruptor, el estado de la lámpara puede cambiarse.

## Accionamiento del conmutador de inversión de giro

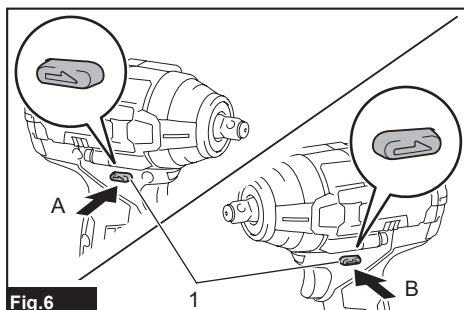


Fig.6

► 1. Palanca del interruptor de inversión

**PRECAUCIÓN:** Confirme siempre la dirección de rotación antes de la operación.

**PRECAUCIÓN:** Utilice el conmutador de inversión solamente después de que la herramienta haya parado completamente. Si cambia la dirección de rotación antes de que la herramienta haya parado podría dañarla.


**PRECAUCIÓN:** Cuando no esté utilizando la herramienta, ponga siempre la palanca del conmutador de inversión en la posición neutral.

Esta herramienta tiene un conmutador de inversión para cambiar la dirección de rotación. Presione la palanca del conmutador de inversión desde el lado A para una rotación en sentido de las manecillas del reloj o desde el lado B, para una rotación en sentido inverso al de las manecillas del reloj.

Cuando la palanca del conmutador de inversión esté en la posición neutral, no se podrá jalar el gatillo conmutador.

## Cambio de la fuerza de impacto

Usted puede cambiar la fuerza de impacto a cuatro niveles: 4 (máx.), 3 (dura), 2 (media) y 1 (suave). Esto permite un apriete adecuado para el trabajo.

El nivel de la fuerza de impacto cambia cada vez que presiona el botón .

Usted puede cambiar la fuerza de impacto dentro de aproximadamente un minuto después de haber soltado el gatillo interruptor.

**NOTA:** Usted puede extender el tiempo para cambiar la fuerza del impacto en aproximadamente un minuto si oprime el botón  o .

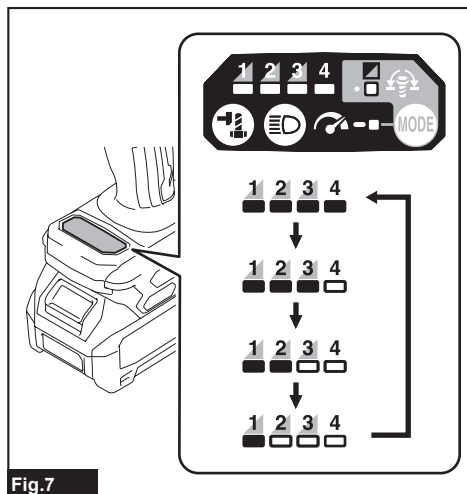
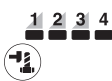
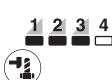
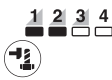
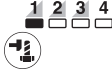



Fig.7

Modo de aplicación (Grado de fuerza del impacto mostrado en el panel)	Golpes máximos	Propósito
4 (Máx.) 	2 900 gpm	Apriete con la máxima fuerza y velocidad. Apriete cuando se desean la fuerza y la velocidad.
3 (duro) 	2 700 gpm	Apriete con menos fuerza y velocidad que el modo máx. (es más fácil controlar que en el modo máx.). Apriete cuando se desean la fuerza y la velocidad.
2 (medio) 	1 900 gpm	Apriete cuando se requiere un buen acabado. Apriete cuando se requiere un buen control sobre la potencia.
1 (suave) 	1 200 gpm	Apriete con menos fuerza para evitar que se rompa la rosca del tornillo. Apriete cuando se requiere un ajuste fino con pernos de diámetro pequeño.

: La lámpara está encendida.

**NOTA:** Cuando ninguna de las lámparas del panel esté encendida, jale el gatillo interruptor una vez antes de presionar el botón .



**NOTA:** Todas las lámparas en el panel del interruptor se apagarán cuando la herramienta se apague para ahorrar energía en la batería. El grado de fuerza del impacto puede verificarse jalando el gatillo interruptor ligeramente de tal manera que la herramienta no se ponga en marcha.

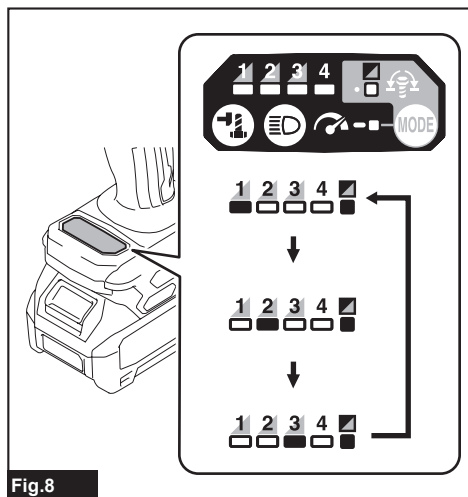
## Cambio del modo de aplicación

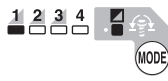

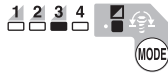
Esta herramienta emplea varios modos de aplicación fáciles de usar para insertar pernos con un buen control.

El tipo de modo de aplicación cambia cada vez que presiona el botón .


Usted puede cambiar el modo de aplicación dentro de aproximadamente un minuto después de haber soltado el gatillo interruptor.

**NOTA:** Usted puede extender el tiempo para cambiar el modo de aplicación en aproximadamente un minuto si oprime el botón  o .



Modo de aplicación (Tipo de asistencia mostrado en el panel)	Característica	Propósito
Modo para pernos	<p><b>En el sentido de las manecillas del reloj</b> Este modo ayuda a repetir el atornillado continuo con una torsión igual. Este modo también ayuda a reducir el riesgo de rompimiento de pernos/tuercas debido a un apriete excesivo.</p> <p><b>En el sentido contrario a las manecillas del reloj</b> Este modo ayuda a evitar que un perno se caiga. Al aflojar un perno con la herramienta girando en el sentido contrario a las manecillas del reloj, la herramienta se detendrá automáticamente o se desacelera una vez que el perno/tuerca se afloje lo suficiente.</p> <p><b>NOTA:</b> El tiempo para detener el atornillado varía según el tipo de perno/tuerca y el material que se va a atornillar. Realice una prueba de atornillado antes de usar este modo.</p>	<p><b>En el sentido de las manecillas del reloj</b> Evitar el apriete excesivo de los pernos.</p> <p><b>En el sentido contrario a las manecillas del reloj</b> Aflojar pernos.</p>
Modo para pernos (1) 	<p><b>En el sentido de las manecillas del reloj</b> La herramienta se detiene automáticamente poco después de que comience los golpes de impacto.</p> <p><b>En el sentido contrario a las manecillas del reloj</b> La fuerza del impacto es 4. La herramienta se detiene automáticamente poco después de que detiene los golpes de impacto.</p>	-
Modo para pernos (2) 	<p><b>En el sentido de las manecillas del reloj</b> La herramienta se detiene automáticamente aproximadamente 0.5 segundos después a partir del momento en que la herramienta ha iniciado los golpes de impacto.</p> <p><b>En el sentido contrario a las manecillas del reloj</b> La fuerza del impacto es 4. La herramienta se detiene automáticamente aproximadamente 0,2 segundos después a partir del momento en que la herramienta ha detenido los golpes de impacto.</p>	-
Modo para pernos (3) 	<p><b>En el sentido de las manecillas del reloj</b> La herramienta se detiene automáticamente aproximadamente 1 segundos después a partir del momento en que la herramienta ha iniciado los golpes de impacto.</p> <p><b>En el sentido contrario a las manecillas del reloj</b> La herramienta desacelera la rotación una vez que ha detenido los golpes de impacto.</p>	-

: La lámpara está encendida.

**NOTA:** Cuando ninguna de las lámparas del panel esté encendida, jale el gatillo interruptor una vez antes de presionar el botón .

**NOTA:** Todas las lámparas en el panel del interruptor se apagarán cuando la herramienta se apague para ahorrar energía en la batería. El tipo de modo de aplicación puede verificarse jalando el gatillo interruptor hasta el punto en que la herramienta no funcione.

## Modo de velocidad máxima

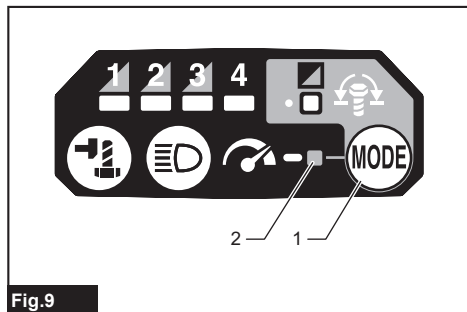




Fig.9

► 1. Botón  2. Lámpara

Cuando se activa el modo de velocidad máxima, la velocidad de la herramienta se vuelve más rápida incluso si no aprieta el gatillo interruptor por completo. Cuando se desactiva el modo de velocidad máxima, la velocidad de la herramienta aumenta conforme incrementa la presión en el gatillo interruptor.

Para encender el modo de velocidad máxima, oprima y deje sostenido el botón . Para apagar el modo de velocidad máxima, oprima y mantenga presionado el botón  nuevamente.

La lámpara se enciende mientras el modo de velocidad máxima sigue activado.

**NOTA:** El modo de velocidad máxima continúa incluso después de activar el modo de fuerza del impacto/modo de parada automática.

## Función eléctrica

### Freno eléctrico

Esta herramienta está equipada con un freno eléctrico. Si de manera consistente la herramienta no cesa de funcionar rápidamente después de soltar el gatillo interruptor, lleve la herramienta a un centro de servicio Makita para que le den mantenimiento.

## ENSAMBLADO

**PRECAUCIÓN:** Asegúrese siempre de que la herramienta esté apagada y el cartucho de batería haya sido extraído antes de realizar cualquier trabajo en la misma.

### Selección del dado de impacto correcto

Utilice siempre el dado de impacto de tamaño correcto para pernos y tuercas. El utilizar un dado de impacto de tamaño incorrecto dará como resultado una torsión de apriete imprecisa e inconsistente y/o daños al perno o a la tuerca.

### Instalación o extracción del dado de impacto

#### Accesorio opcional

**PRECAUCIÓN:** Asegúrese de que el dado de impacto y la pieza de montaje no estén dañados antes de instalar el dado de impacto.

**PRECAUCIÓN:** Después de insertar el dado de impacto, asegúrese de que éste quede firmemente asegurado. Si se llega a salir, no lo utilice.

**NOTA:** La forma de instalación del dado de impacto varía según el tipo del adaptador cuadrado en la herramienta.

### Herramienta con el resorte de anillo

Modelo TW007G

### Para dados de impacto sin anillo en O ni pasador

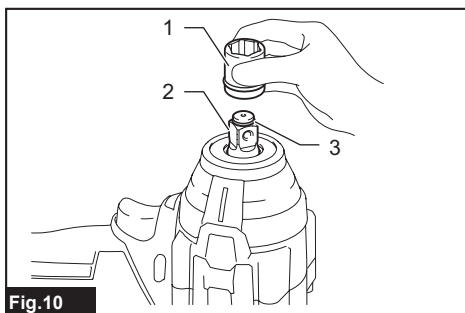


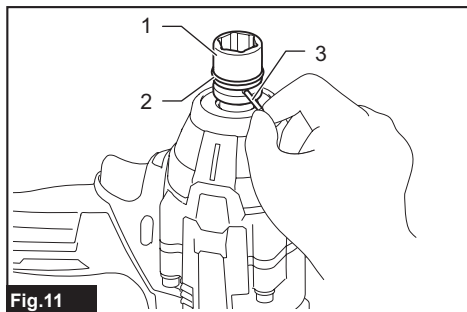
Fig.10

► 1. Dado de impacto 2. Adaptador cuadrado  
3. Resorte de anillo

Empuje el dado de impacto en el adaptador cuadrado hasta que quede asegurado en su lugar.

Para quitar el dado de impacto, simplemente jálelo hasta retirarlo.

## Para dados de impacto con anillo en O y pasador



► 1. Dado de impacto 2. Anillo en O 3. Pasador

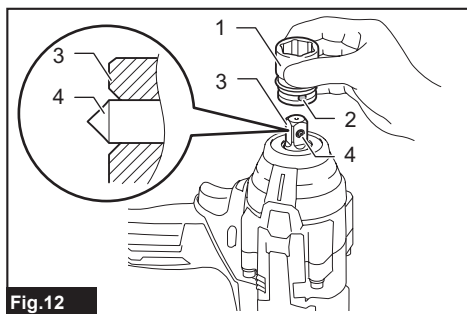
Saque el anillo en O fuera de la ranura en el dado de impacto y retire el pasador del dado de impacto. Coloque el dado de impacto en el adaptador cuadrado de manera que el orificio en el dado de impacto quede alineado con el orificio en el adaptador cuadrado. Inserte el pasador a través del orificio en el dado de impacto y el adaptador cuadrado. Luego coloque nuevamente el anillo en O en su posición original en la ranura del dado de impacto para retener el pasador.

Para retirar el dado de impacto, siga el procedimiento de instalación en orden inverso.

## Herramienta con el pasador de retención

Modelo TW008G

### Para herramienta con el pasador de retención de ajuste ligero



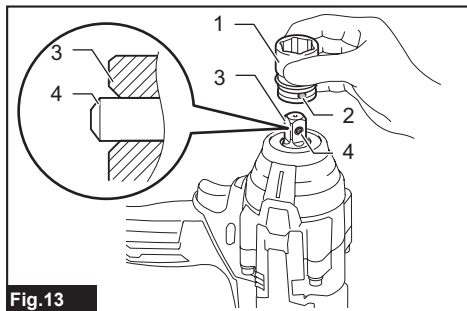
► 1. Dado de impacto 2. Orificio 3. Adaptador cuadrado 4. Pasador de retención

Para instalar el dado, alinee el orificio en el lado del dado con el pasador de retención en el adaptador cuadrado, luego empújelo en el adaptador cuadrado hasta que quede asegurado en su lugar. Golpéelo ligeramente de ser necesario.

Para quitar el dado, simplemente jálelo y retírelo.

## Para herramienta con el pasador de retención de ajuste firme

### Accesorio opcional



► 1. Dado de impacto 2. Orificio 3. Adaptador cuadrado 4. Pasador de retención

Para instalar el dado, alinee el orificio en el lado del dado con el pasador de retención en el adaptador cuadrado, luego empújelo en el adaptador cuadrado hasta que quede asegurado en su lugar. Golpéelo ligeramente de ser necesario.

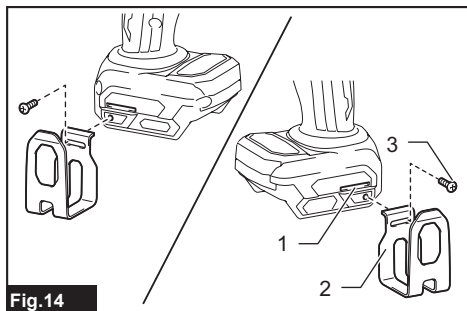
Para retirar el dado, presione el pasador de retención a través del orificio en el dado y tire del dado para sacarlo del adaptador cuadrado.

**NOTA:** El pasador de retención de ajuste firme puede quedar demasiado ajustado para quitarlo del dado.

En este caso, presione completamente el pasador de retención de ajuste firme y tire del dado para sacarlo del adaptador cuadrado.

## Instalación del gancho

**PRECAUCIÓN:** Cuando instale el gancho, siempre asegúrelo firmemente con el tornillo. De lo contrario, el gancho podría desprenderse de la herramienta y ocasionar lesiones personales.



► 1. Ranura 2. Gancho 3. Tornillo

El gancho resulta útil para colgar temporalmente la herramienta. Se puede instalar en cualquiera de los lados de la herramienta. Para instalar el gancho, insértele en una ranura de la carcasa de la herramienta de cualquiera de los lados y después sujételo con un tornillo. Para quitarlo, afloje el tornillo y después sáquele.

# OPERACIÓN

**⚠️ PRECAUCIÓN:** Siempre inserte por completo el cartucho de batería hasta que se fije en su lugar. Si puede ver el indicador rojo, este no ha quedado asegurado por completo. Insértelo por completo hasta que el indicador rojo no pueda verse. De no hacerlo, éste podría salirse y caer accidentalmente de la herramienta ocasionándole lesiones a usted o a alguien cerca de usted.

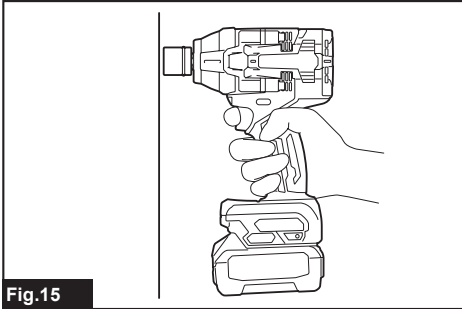
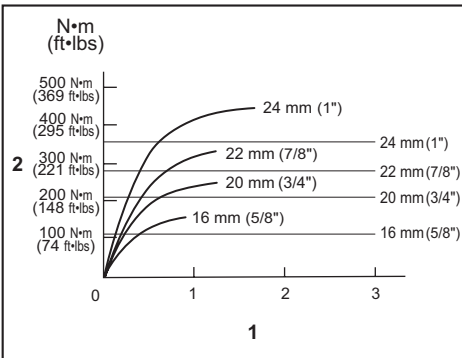


Fig. 15

Sujete firmemente la herramienta y ponga el dado de impacto sobre el perno o la tuerca. Ponga en marcha la herramienta y apriete durante el tiempo de apriete apropiado.

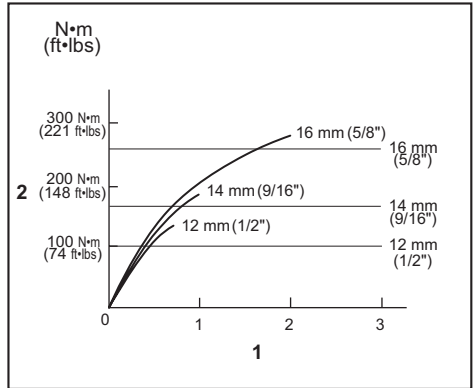
La torsión de apriete adecuada podrá variar dependiendo del tipo o tamaño del perno, el material de la pieza de trabajo que se va a apretar, etc. La relación entre la torsión de apriete y el tiempo de apriete se muestra en las figuras.

## Torsión de apriete apropiada para un perno estándar con un modo de impacto máximo. (4)



1. Tiempo de apriete (segundos) 2. Torsión de apriete

## Torsión de apriete apropiada para un perno de alta resistencia con un modo de impacto máximo. (4)



1. Tiempo de apriete (segundos) 2. Torsión de apriete

**NOTA:** Sujete la herramienta orientada en línea recta al perno o tuerca.

**NOTA:** Una torsión de apriete excesiva puede dañar el perno/tuerca o el dado de impacto. Antes de comenzar su trabajo, realice siempre una operación de prueba para determinar el tiempo de apriete apropiado para el perno o la tuerca que quiere apretar.

**NOTA:** Si la herramienta se opera de forma continua hasta descargarse la batería, permita que la herramienta descanse unos 15 minutos antes de continuar con una batería recargado.

La torsión de apriete se ve afectada por una amplia variedad de factores incluyendo los siguientes. Después del apriete, compruebe siempre la torsión con una llave de torsión.

1. Cuando el cartucho de batería esté casi completamente descargado, caerá la tensión y se reducirá la torsión de apriete.
2. Dado de impacto
  - Si no se utiliza un dado de impacto del tamaño correcto, la torsión de apriete se verá reducida.
  - Si se utiliza un dado de impacto desgastado (desgaste en el extremo hexagonal o en el extremo cuadrado), la torsión de apriete se verá reducida.
3. Perno
  - Incluso si el coeficiente de torsión y la clase de tornillo son los mismos, la adecuada torsión de apriete variará en función del diámetro del tornillo.
  - Incluso si el diámetro del tornillo o perno es el mismo, la torsión de apriete correcta variará de acuerdo con el coeficiente de torsión, la clase y la longitud del perno o tornillo.
4. El uso de una junta universal o de una barra de extensión reduce de alguna manera la fuerza de apriete de la llave de impacto. Compense esto alargando el tiempo de apriete.
5. La forma de sostener la herramienta o el material en la posición a apretar afectará a la torsión.
6. La operación de la herramienta a baja velocidad ocasionará una reducción de la torsión de apriete.

## MANTENIMIENTO

**⚠PRECAUCIÓN:** Asegúrese siempre de que la herramienta esté apagada y el cartucho de batería extraído antes de intentar realizar una inspección o mantenimiento.

**AVISO:** Nunca use gasolina, bencina, diluyente (tíner), alcohol o sustancias similares. Puede que esto ocasione grietas o descoloramiento.

Para mantener la SEGURIDAD y FIABILIDAD del producto, las reparaciones, y cualquier otra tarea de mantenimiento o ajuste deberán ser realizadas en centros de servicio autorizados o de fábrica Makita, empleando siempre repuestos Makita.

## ACCESORIOS OPCIONALES

**⚠PRECAUCIÓN:** Estos accesorios o aditamentos están recomendados para utilizarse con su herramienta Makita especificada en este manual.

El empleo de cualquier otro accesorio o aditamento puede conllevar el riesgo de lesiones personales. Utilice los accesorios o aditamentos solamente para su fin establecido.

Si necesita cualquier ayuda para más detalles en relación con estos accesorios, pregunte a su centro de servicio local Makita.

- Dado de impacto
- Barra de extensión
- Junta universal
- Conjunto del pasador 4 (para TW008G solamente)
- Extensión para dado
- Mango de extensión
- Batería y cargador originales de Makita

**NOTA:** Algunos de los artículos en la lista pueden incluirse en el paquete de la herramienta como accesorios estándar. Éstos pueden variar de país a país.

## GARANTÍA LIMITADA DE MAKITA

### Ésta Garantía no aplica para México

Consulte la hoja de la garantía anexa para ver los términos más vigentes de la garantía aplicable a este producto. En caso de no disponer de esta hoja de garantía anexa, consulte los detalles sobre la garantía descritos en el sitio web de su país respectivo indicado a continuación.

Estados Unidos de América: [www.makitatools.com](http://www.makitatools.com)

Canadá: [www.makita.ca](http://www.makita.ca)

Otros países: [www.makita.com](http://www.makita.com)

< USA only >

# WARNING

Some dust created by power sanding, sawing, grinding, drilling, and other construction activities contains chemicals known to the State of California to cause cancer, birth defects or other reproductive harm. Some examples of these chemicals are:

- lead from lead-based paints,
- crystalline silica from bricks and cement and other masonry products, and
- arsenic and chromium from chemically-treated lumber.

Your risk from these exposures varies, depending on how often you do this type of work. To reduce your exposure to these chemicals: work in a well ventilated area, and work with approved safety equipment, such as those dust masks that are specially designed to filter out microscopic particles.

< Sólo en los Estados Unidos >

# ADVERTENCIA

Algunos polvos creados por el lijado, aserrado, esmerilado, taladrado y otras actividades de la construcción contienen sustancias químicas reconocidas por el Estado de California como causantes de cáncer, defectos de nacimiento y otros peligros de reproducción. Algunos ejemplos de estos productos químicos son:

- plomo de pinturas a base de plomo,
- sílice cristalino de ladrillos y cemento y otros productos de albañilería, y
- arsénico y cromo de maderas tratadas químicamente.

El riesgo al que se expone varía, dependiendo de la frecuencia con la que realice este tipo de trabajo. Para reducir la exposición a estos productos químicos: trabaje en un área bien ventilada y póngase el equipo de seguridad indicado, tal como las máscaras contra polvo que están especialmente diseñadas para filtrar partículas microscópicas.

**Makita Corporation**

3-11-8, Sumiyoshi-cho,  
Anjo, Aichi 446-8502 Japan

[www.makita.com](http://www.makita.com)

885870B931  
TW007G-1  
EN, FRCA, ESMX  
20210817